

ITEM NO. 3488679 / MODEL NO. 5130CTK

**PRO-FIT®****MANSFIELD®**

Round Front, Vitreous China, Two-Piece Toilet, Complete Toilet Kit

**FEATURES**

- Complete toilet kit (CTK)
- 1.28 gpf / 4.8 lpf high efficiency water consumption
- Universal style matches any decor
- Round front bowl
- 3-2" hybrid flapper flush valve
- Fluidmaster® pilot operated anti-siphon fill valve
- 12" rough-in
- SmartFasten™ 3-bolt tank-to-bowl connection
- Model 31 color-match, plastic trip lever
- 2" glazed trapway
- The Mansfield® limited lifetime warranty on china, One-year limited warranty on tank trim
- Available in White

**MODEL 5130CTK**

Toilet seat included

Complete Toilet Kit



CTK



ROUND

**COMPONENTS**

MODEL #	DESCRIPTION	CODES/STANDARDS
<b>5130CTK</b>	Round front complete two-piece toilet kit. Includes: toilet seat, tank and bowl, floor bolts, wax ring, caps and multi-lingual installation instructions. Water supply not included.	
<b>130</b>	Round front toilet bowl only.	
<b>3173</b>	Tank and lid only. With left hand, front-mount, color-match plastic trip lever.	
<b>SB100</b>	Round, plastic toilet seat	
<b>TANK TRIM &amp; REPLACEMENT PARTS</b>		
<b>31</b>	Trip Lever - color-match plastic trip lever, left hand	
<b>400A</b>	Fluidmaster® anti-siphon pilot fill valve	
<b>228</b>	3-2" Hybrid flapper flush valve	
<b>2206</b>	Anti-siphon pilot fill valve (compatible replacement)	
<b>630-0207</b>	3" Replacement flapper kit	
<b>160-LID</b>	Tank lid	



ITEM NO. 3488679 / MODEL NO. 5130CTK

**PRO-FIT®**

**MANSFIELD®**



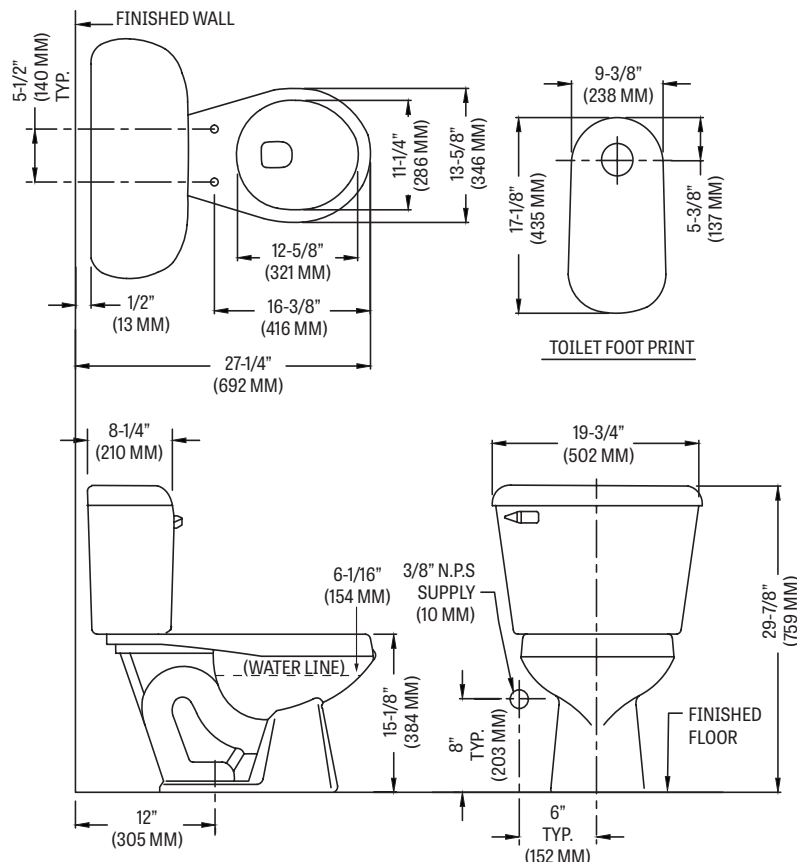
Round Front, Vitreous China, Two-Piece Toilet, Complete Toilet Kit

**SPECIFICATIONS**

MODEL #	DESCRIPTION	CODES/STANDARDS								
5130CTK	Round front (1.28 gpf/4.8 lpf) two-piece toilet kit									
<b>MATERIAL</b>	Vitreous China	<table border="1"> <tr> <td><b>TRAP DIAMETER</b></td> <td>2'</td> </tr> <tr> <td><b>TRAP SEAL</b></td> <td>2-7/8'</td> </tr> <tr> <td><b>SHIPPING WEIGHT</b></td> <td>Model 5130CTK - 85 lbs. (38.5 kg)</td> </tr> <tr> <td><b>WARRANTY</b></td> <td>Vitreous China - Limited Lifetime Tank Trim - Limited One-Year</td> </tr> </table>	<b>TRAP DIAMETER</b>	2'	<b>TRAP SEAL</b>	2-7/8'	<b>SHIPPING WEIGHT</b>	Model 5130CTK - 85 lbs. (38.5 kg)	<b>WARRANTY</b>	Vitreous China - Limited Lifetime Tank Trim - Limited One-Year
<b>TRAP DIAMETER</b>	2'									
<b>TRAP SEAL</b>	2-7/8'									
<b>SHIPPING WEIGHT</b>	Model 5130CTK - 85 lbs. (38.5 kg)									
<b>WARRANTY</b>	Vitreous China - Limited Lifetime Tank Trim - Limited One-Year									
<b>WATER PRESSURE RANGE</b>	20 to 80 PSI									
<b>FLUSH SYSTEM</b>	3-2' Hybrid flapper flush valve									
<b>WATER USAGE</b>	1.28 gpf / 4.8 lpf									
<b>WATER SURFACE AREA</b>	8' X 9'									
<b>ROUGH-IN</b>	12'									
<b>MAP RATING</b>	800 grams									

**TECHNICAL INFORMATION**

**Note:** these dimensions are nominal and subject to change without notice.



Fixture performance and specifications meet or exceed ASME A112.19.2/CSA B45.1 standards, and other state and local codes.



ITEM NO. 3488680 / MODEL NO. 5135CTK

**PRO-FIT®****MANSFIELD®**

Elongated Front, Vitreous China, Two-Piece Toilet, Complete Toilet Kit

**FEATURES**

- Complete toilet kit (CTK)
- 1.28 gpf / 4.8 lpf high efficiency water consumption
- Universal style matches any decor
- Elongated front bowl
- 3-2" hybrid flapper flush valve
- Fluidmaster® pilot operated anti-siphon fill valve
- 12" rough-in
- SmartFasten™ 3-bolt tank-to-bowl connection
- Model 31 color-match, plastic trip lever
- 2" glazed trapway
- The Mansfield® limited lifetime warranty on china, One-year limited warranty on tank trim
- Available in White

**MODEL 5135CTK**

Toilet seat included

Complete Toilet Kit



CTK



ELONGATED

**COMPONENTS**

MODEL #	DESCRIPTION	CODES/STANDARDS
<b>5135CTK</b>	Elongated front complete two-piece toilet kit. Includes: toilet seat, tank and bowl, floor bolts, wax ring, caps and multi-lingual installation instructions. Water supply not included.	
<b>135</b>	Elongated front toilet bowl only.	
<b>3173</b>	Tank and lid only. With left hand, front-mount, color-match plastic trip lever.	
<b>SB200</b>	Elongated, plastic toilet seat	
TANK TRIM & REPLACEMENT PARTS		
<b>31</b>	Trip Lever - color-match plastic trip lever, left hand	
<b>400A</b>	Fluidmaster® anti-siphon pilot fill valve	
<b>228</b>	3-2" Hybrid flapper flush valve	
<b>2206</b>	Anti-siphon pilot fill valve (compatible replacement)	
<b>630-0207</b>	3" Replacement flapper kit	
<b>160-LID</b>	Tank lid	



ITEM NO. 3488680 / MODEL NO. 5135CTK

**PRO-FIT®**

**MANSFIELD®**



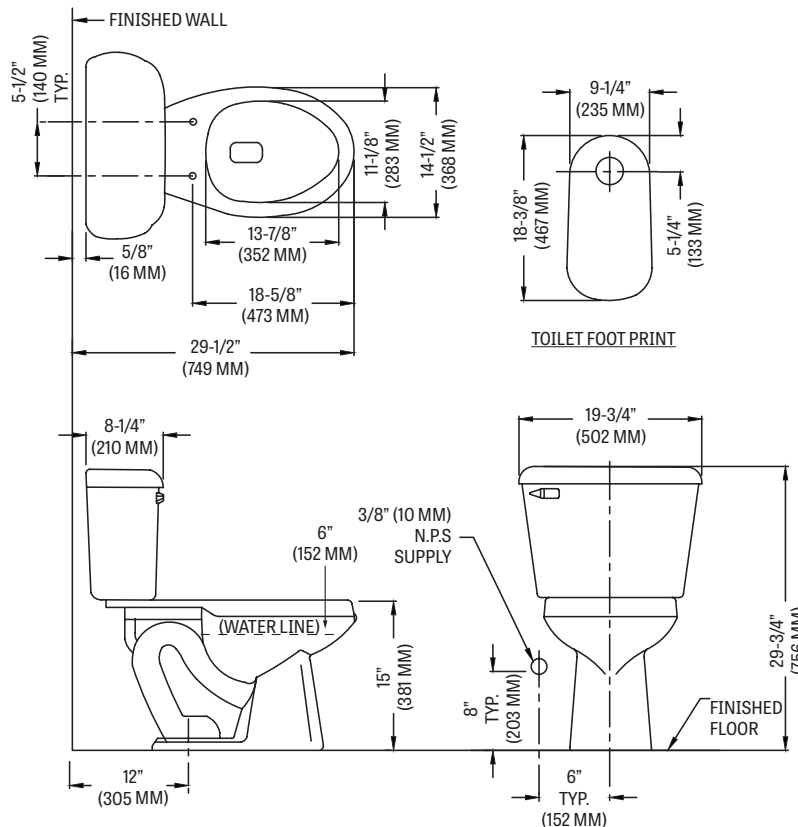
Elongated Front, Vitreous China, Two-Piece Toilet, Complete Toilet Kit

**SPECIFICATIONS**

MODEL #	DESCRIPTION	CODES/STANDARDS	
5135CTK	Elongated front (1.28 gpf/4.8 lpf) two-piece toilet kit		
<b>MATERIAL</b>	Vitreous China	<b>TRAP DIAMETER</b>	2'
<b>WATER PRESSURE RANGE</b>	20 to 80 PSI	<b>TRAP SEAL</b>	2-1/2'
<b>FLUSH SYSTEM</b>	3-2' Hybrid flapper flush valve	<b>SHIPPING WEIGHT</b>	Model 5135CTK - 88 lbs. (40 kg)
<b>WATER USAGE</b>	1.28 gpf / 4.8 lpf	<b>WARRANTY</b>	Vitreous China - Limited Lifetime Tank Trim - Limited One-Year
<b>WATER SURFACE AREA</b>	9' X 10'		
<b>ROUGH-IN</b>	12'		
<b>MAP RATING</b>	800 grams		

**TECHNICAL INFORMATION**

**Note:** these dimensions are nominal and subject to change without notice.



Fixture performance and specifications meet or exceed ASME A112.19.2/CSA B45.1 standards, and other state and local codes.



ITEM NO. 2412592 / MODEL NO. 5384CTK

**SUMMIT®****MANSFIELD®**

Elongated Front, SmartHeight™, Vitreous China, Two-Piece Toilet, Complete Toilet Kit

**FEATURES**

- Complete toilet kit (CTK)
- 1.28 gpf / 4.8 lpf high efficiency water consumption
- MagnaFlush™ high performance flushing technology
- PuraClean® easy-to-clean glazed surface
- Elongated front, SmartHeight™ bowl
- 3' Rigid Flapper flush valve – requires less force to flush, is more consistent and uses a simple universal repair part/seal
- Fluidmaster® pilot operated anti-siphon fill valve
- 12" rough-in
- SmartFasten™ 3-bolt tank-to-bowl connection
- Model 57 chrome-plated, metal trip lever
- 2" glazed trapway
- The Mansfield® limited lifetime warranty on china, Five-year limited warranty on tank trim
- Available in White

**MODEL 5384CTK**

Toilet seat included

Complete Toilet Kit



CTK



ELONGATED



SMARTHEIGHT ADA

**COMPONENTS**

MODEL #	DESCRIPTION	CODES/STANDARDS
5384CTK	Elongated front, SmartHeight™ complete two-piece toilet kit. Includes: slow close toilet seat, tank and bowl, floor bolts, wax ring, caps and multi-lingual installation instructions. Water supply not included.	
384	Elongated front, SmartHeight™ toilet bowl only.	
387	Tank and lid only. With left hand, front-mount, chrome-plated metal trip lever.	
3800	Elongated, slow close toilet seat	
TANK TRIM & REPLACEMENT PARTS		
57	Trip Lever - chrome-plated metal trip lever, left hand	
400A	Fluidmaster® anti-siphon pilot fill valve	
2206	Anti-siphon pilot fill valve (compatible replacement)	
2036-1212	Summit® 1.28 Rigid Flapper flush valve	
630-0030	Replacement flush valve seal	
386-LID	Tank lid	

When properly installed, this product meets the requirements for the Americans with Disabilities Act of 1990 (ADA). Refer to local plumbing codes, as they may vary by location and application.







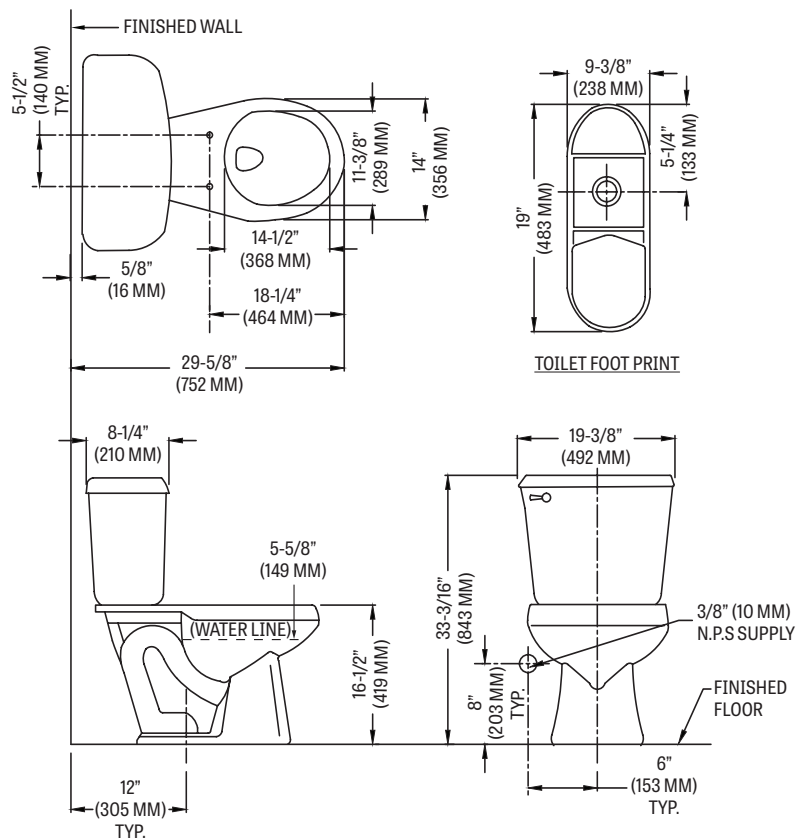
ITEM NO. 2412592 / MODEL NO. 5384CTK

**SUMMIT<sup>®</sup>****MANSFIELD<sup>®</sup>**

Elongated Front, SmartHeight™, Vitreous China, Two-Piece Toilet, Complete Toilet Kit

**SPECIFICATIONS**

MODEL #	DESCRIPTION	CODES/STANDARDS
5384CTK	Elongated front, SmartHeight™ (1.28 gpf/4.8 lpf) two-piece toilet kit	   
<b>MATERIAL</b>	Vitreous China	<b>TRAP DIAMETER</b> 2' <b>TRAP SEAL</b> 2-1/4' <b>SHIPPING WEIGHT</b> Model 5384CTK - 95 lbs. (43 kg) <b>WARRANTY</b> Vitreous China - Limited Lifetime Tank Trim - Limited Five-Year
<b>WATER PRESSURE RANGE</b>	20 to 80 PSI	
<b>FLUSH SYSTEM</b>	3' MagnaFlush™ Flushing Technology	
<b>WATER USAGE</b>	1.28 gpf / 4.8 lpf	
<b>WATER SURFACE AREA</b>	9' X 10'	
<b>ROUGH-IN</b>	12'	
<b>MAP RATING</b>	1,000 grams	

**TECHNICAL INFORMATION****Note:** these dimensions are nominal and subject to change without notice.

Fixture performance and specifications meet or exceed ASME A112.19.2/CSA B45.1 standards, and other state and local codes.



ITEM NO. 3637701 / MODEL NO. 5384DFCTK

**SUMMIT®****MANSFIELD®**

Elongated Front, SmartHeight™, Vitreous China, Two-Piece Toilet, Complete Toilet Kit

**FEATURES**

- Complete toilet kit (CTK)
- 1.1 gpf / 1.6 gpf (4.0 lpf / 6.0 lpf) high efficiency water consumption
- Dual flush technology with 3" flush tower allows you to choose
- PuraClean® easy-to-clean glazed surface
- Elongated front, SmartHeight™ bowl
- Pilot operated anti-siphon fill valve
- 12" rough-in
- SmartFasten™ 3-bolt tank-to-bowl connection
- Model 33 chrome-plated, push button actuator
- 2' glazed trapway
- The Mansfield® limited lifetime warranty on china, One-year limited warranty on tank trim
- Available in White

**MODEL 5384DFCTK**

Toilet seat included

Complete Toilet Kit



CTK



ELONGATED



SMARTHEIGHT ADA

**COMPONENTS**

MODEL #	DESCRIPTION	CODES/STANDARDS
<b>5384DFCTK</b>	Elongated front, SmartHeight™ complete two-piece toilet kit. Includes: slow close toilet seat, tank and bowl, floor bolts, wax ring, caps and multi-lingual installation instructions. Water supply not included.	
<b>384</b>	Elongated front, SmartHeight™ toilet bowl only.	
<b>3386</b>	Tank and lid only. With chrome-plated push button actuator.	
<b>3800</b>	Elongated, slow close toilet seat	
<b>TANK TRIM &amp; REPLACEMENT PARTS</b>		
<b>33</b>	Push Button - chrome-plated push button actuator	
<b>2206</b>	Anti-siphon pilot fill valve	
<b>308</b>	Dual flush tower	
<b>3386-LID</b>	Tank lid	



ITEM NO. 3637701 / MODEL NO. 5384DFCTK




**SUMMIT<sup>®</sup>**

**MANSFIELD<sup>®</sup>**



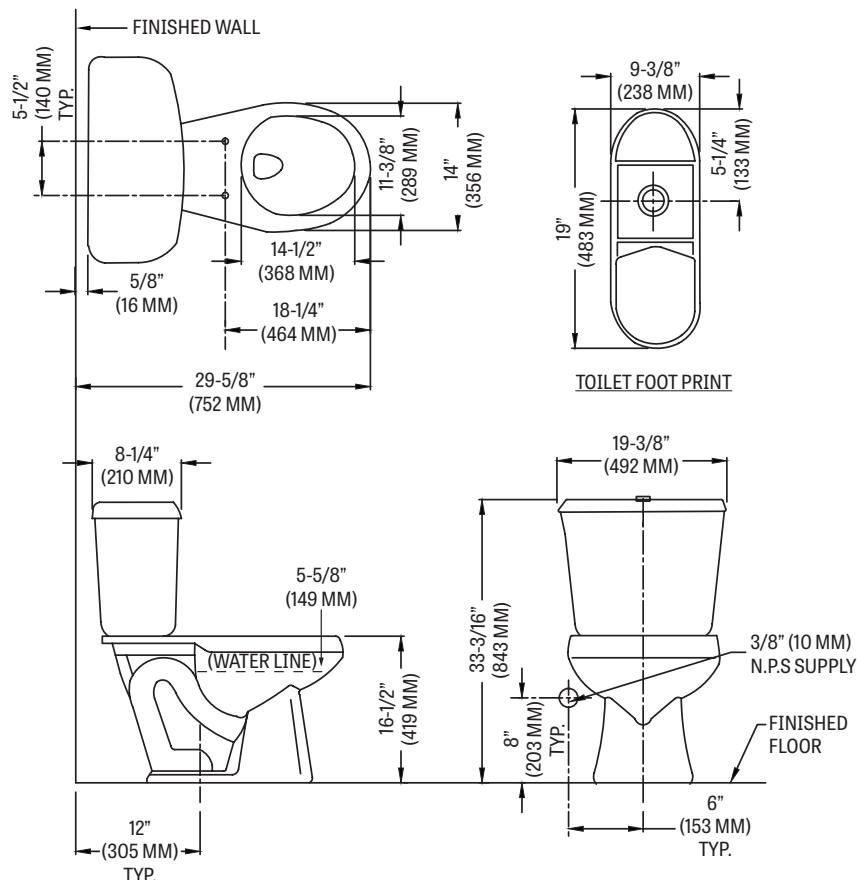
Elongated Front, SmartHeight™, Vitreous China, Two-Piece Toilet, Complete Toilet Kit

**SPECIFICATIONS**

MODEL #	DESCRIPTION	CODES/STANDARDS								
5384DFCTK	Elongated front, SmartHeight™ (1.1 gpf/1.6 lpf) two-piece toilet kit	  								
<b>MATERIAL</b>	Vitreous China	<table border="1"> <tr> <td><b>TRAP DIAMETER</b></td> <td>2'</td> </tr> <tr> <td><b>TRAP SEAL</b></td> <td>2-3/8'</td> </tr> <tr> <td><b>SHIPPING WEIGHT</b></td> <td>Model 5384DFCTK - 95 lbs. (43 kg)</td> </tr> <tr> <td><b>WARRANTY</b></td> <td>Vitreous China - Limited Lifetime Tank Trim - Limited One-Year</td> </tr> </table>	<b>TRAP DIAMETER</b>	2'	<b>TRAP SEAL</b>	2-3/8'	<b>SHIPPING WEIGHT</b>	Model 5384DFCTK - 95 lbs. (43 kg)	<b>WARRANTY</b>	Vitreous China - Limited Lifetime Tank Trim - Limited One-Year
<b>TRAP DIAMETER</b>	2'									
<b>TRAP SEAL</b>	2-3/8'									
<b>SHIPPING WEIGHT</b>	Model 5384DFCTK - 95 lbs. (43 kg)									
<b>WARRANTY</b>	Vitreous China - Limited Lifetime Tank Trim - Limited One-Year									
<b>WATER PRESSURE RANGE</b>	20 to 80 PSI									
<b>FLUSH SYSTEM</b>	Dual flush with 3' flush tower									
<b>WATER USAGE</b>	1.1 gpf / 1.6 lpf									
<b>WATER SURFACE AREA</b>	9' X 10'									
<b>ROUGH-IN</b>	12'									
<b>MAP RATING</b>	800 grams									

**TECHNICAL INFORMATION**

Note: these dimensions are nominal and subject to change without notice.



Fixture performance and specifications meet or exceed ASME A112.19.2/CSA B45.1 standards, and other state and local codes.





ITEM NO. 3637699 / MODEL NO. 5384LTCTK

**SUMMIT®****MANSFIELD®**

Elongated Front, SmartHeight™, Lined Tank, Vitreous China, Two-Piece Toilet, Complete Toilet Kit

**FEATURES**

- Complete toilet kit (CTK)
- 1.28 gpf / 4.8 lpf high efficiency water consumption
- MagnaFlush™ high performance flushing technology
- Lined tank for reduced condensation
- PuraClean® easy-to-clean glazed surface
- Elongated front, SmartHeight™ bowl
- 3" Rigid Flapper flush valve – requires less force to flush, is more consistent and uses a simple universal repair part/seal
- Fluidmaster® pilot operated anti-siphon fill valve
- 12" rough-in
- SmartFasten™ 3-bolt tank-to-bowl connection
- Model 57 chrome-plated, metal trip lever
- 2" glazed trapway
- The Mansfield® limited lifetime warranty on china, Five-year limited warranty on tank trim
- Available in White

**MODEL 5384LTCTK**

Toilet seat included

Complete Toilet Kit



CTK



ELONGATED



SMARTHEIGHT ADA

**COMPONENTS**

MODEL #	DESCRIPTION	CODES/STANDARDS
<b>5384LTCTK</b>	Elongated front, SmartHeight™ complete two-piece toilet kit. Includes: slow close toilet seat, tank and bowl, floor bolts, wax ring, caps and multi-lingual installation instructions. Water supply not included.	
<b>384</b>	Elongated front, SmartHeight™ toilet bowl only.	
<b>387LT</b>	Tank and lid only. With left hand, front-mount, chrome-plated metal trip lever. Tank liner.	
<b>3800</b>	Elongated, slow close toilet seat	

**TANK TRIM & REPLACEMENT PARTS**

<b>57</b>	Trip Lever - chrome-plated metal trip lever, left hand
<b>400A</b>	Fluidmaster® anti-siphon pilot fill valve
<b>2206</b>	Anti-siphon pilot fill valve (compatible replacement)
<b>2036-1212</b>	Summit® 1.28 Rigid Flapper flush valve
<b>630-0030</b>	Replacement flush valve seal
<b>386-LID</b>	Tank lid

When properly installed, this product meets the requirements for the Americans with Disabilities Act of 1990 (ADA). Refer to local plumbing codes, as they may vary by location and application.



ITEM NO. 3637699 / MODEL NO. 5384LTCTK

**SUMMIT<sup>®</sup>**

**MANSFIELD<sup>®</sup>**



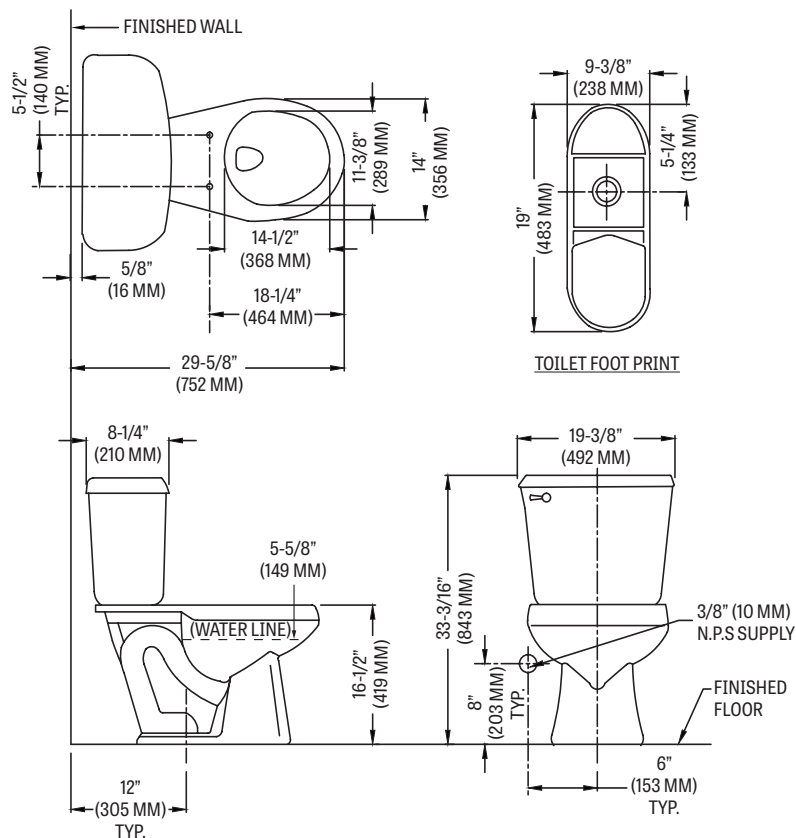
Elongated Front, SmartHeight™, Lined Tank, Vitreous China, Two-Piece Toilet, Complete Toilet Kit

**SPECIFICATIONS**

MODEL #	DESCRIPTION	CODES/STANDARDS								
5384LTCTK	Elongated front, SmartHeight™ (1.28 gpf/4.8 lpf) two-piece toilet kit									
<b>MATERIAL</b>	Vitreous China	<table border="1"> <tr> <td><b>TRAP DIAMETER</b></td> <td>2'</td> </tr> <tr> <td><b>TRAP SEAL</b></td> <td>2-1/4'</td> </tr> <tr> <td><b>SHIPPING WEIGHT</b></td> <td>Model 5384LTCTK - 95 lbs. (43 kg)</td> </tr> <tr> <td><b>WARRANTY</b></td> <td>Vitreous China - Limited Lifetime Tank Trim - Limited Five-Year</td> </tr> </table>	<b>TRAP DIAMETER</b>	2'	<b>TRAP SEAL</b>	2-1/4'	<b>SHIPPING WEIGHT</b>	Model 5384LTCTK - 95 lbs. (43 kg)	<b>WARRANTY</b>	Vitreous China - Limited Lifetime Tank Trim - Limited Five-Year
<b>TRAP DIAMETER</b>	2'									
<b>TRAP SEAL</b>	2-1/4'									
<b>SHIPPING WEIGHT</b>	Model 5384LTCTK - 95 lbs. (43 kg)									
<b>WARRANTY</b>	Vitreous China - Limited Lifetime Tank Trim - Limited Five-Year									
<b>WATER PRESSURE RANGE</b>	20 to 80 PSI									
<b>FLUSH SYSTEM</b>	3' MagnaFlush™ Flushing Technology									
<b>WATER USAGE</b>	1.28 gpf / 4.8 lpf									
<b>WATER SURFACE AREA</b>	9' X 10'									
<b>ROUGH-IN</b>	12'									
<b>MAP RATING</b>	1,000 grams									

**TECHNICAL INFORMATION**

Note: these dimensions are nominal and subject to change without notice.



Fixture performance and specifications meet or exceed ASME A112.19.2/CSA B45.1 standards, and other state and local codes.



ITEM NO. 3637702 / MODEL NO. 5385CTK

**SUMMIT®****MANSFIELD®**

Elongated Front, SmartHeight™, 10" Rough-In, Vitreous China, Two-Piece Toilet, Complete Toilet Kit

**FEATURES**

- Complete toilet kit (CTK)
- 1.28 gpf / 4.8 lpf high efficiency water consumption
- MagnaFlush™ high performance flushing technology
- PuraClean® easy-to-clean glazed surface
- Elongated front, SmartHeight™ bowl
- 3' Rigid Flapper flush valve – requires less force to flush, is more consistent and uses a simple universal repair part/seal
- Fluidmaster® pilot operated anti-siphon fill valve
- 10" rough-in
- SmartFasten™ 3-bolt tank-to-bowl connection
- Model 57 chrome-plated, metal trip lever
- 2' glazed trapway
- The Mansfield® limited lifetime warranty on china, Five-year limited warranty on tank trim
- Available in White

**MODEL 5385CTK**

Toilet seat included

Complete Toilet Kit



CTK

ELONGATED

SMARTHEIGHT ADA

**COMPONENTS**

MODEL #	DESCRIPTION	CODES/STANDARDS
5385CTK	Elongated front, SmartHeight™ complete two-piece toilet kit. Includes: slow close toilet seat, tank and bowl, floor bolts, wax ring, caps and multi-lingual installation instructions. Water supply not included.	
385	Elongated front, SmartHeight™ toilet bowl only.	
387	Tank and lid only. With left hand, front-mount, chrome-plated metal trip lever.	
3800	Elongated, slow close toilet seat	
<b>TANK TRIM &amp; REPLACEMENT PARTS</b>		
57	Trip Lever - chrome-plated metal trip lever, left hand	
400A	Fluidmaster® anti-siphon pilot fill valve	
2206	Anti-siphon pilot fill valve (compatible replacement)	
2036-1212	Summit® 1.28 Rigid Flapper flush valve	
630-0030	Replacement flush valve seal	
386-LID	Tank lid	

When properly installed, this product meets the requirements for the Americans with Disabilities Act of 1990 (ADA). Refer to local plumbing codes, as they may vary by location and application.



ITEM NO. 3637702 / MODEL NO. 5385CTK

**SUMMIT<sup>®</sup>**

**MANSFIELD<sup>®</sup>**



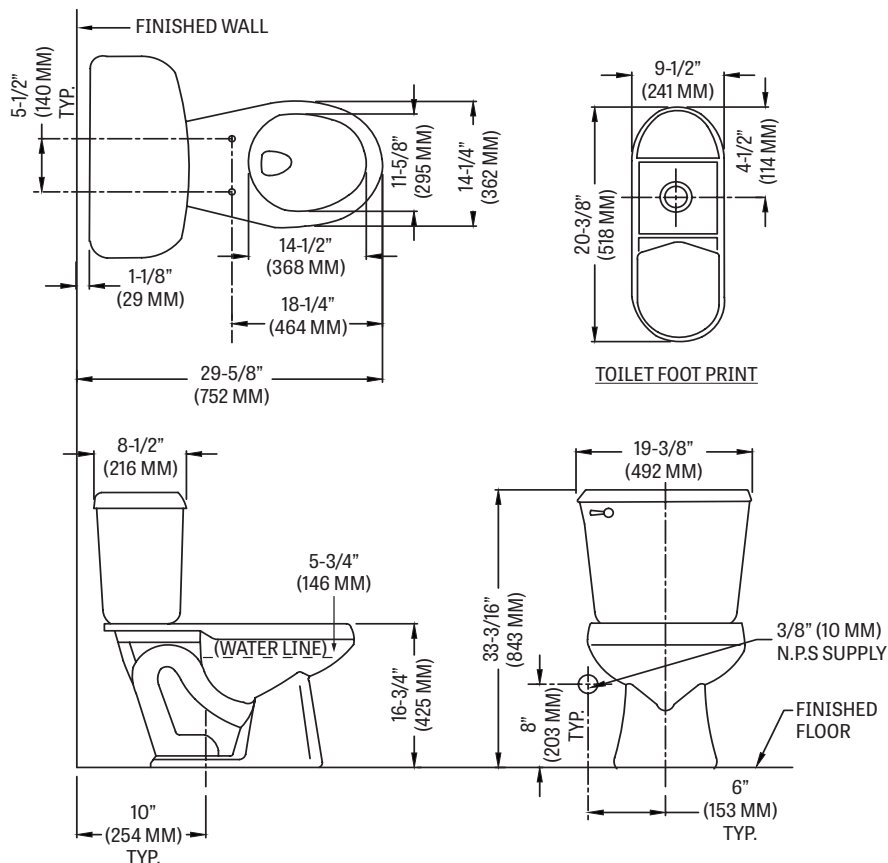
Elongated Front, SmartHeight™, 10" Rough-In, Vitreous China, Two-Piece Toilet, Complete Toilet Kit

**SPECIFICATIONS**

MODEL #	DESCRIPTION	CODES/STANDARDS								
5385CTK	Elongated front, SmartHeight™ (1.28 gpf/4.8 lpf) two-piece toilet kit									
<b>MATERIAL</b>	Vitreous China	<table border="1"> <tr> <td><b>TRAP DIAMETER</b></td> <td>2'</td> </tr> <tr> <td><b>TRAP SEAL</b></td> <td>2-3/8'</td> </tr> <tr> <td><b>SHIPPING WEIGHT</b></td> <td>Model 5385CTK - 95 lbs. (43 kg)</td> </tr> <tr> <td><b>WARRANTY</b></td> <td>Vitreous China - Limited Lifetime Tank Trim - Limited Five-Year</td> </tr> </table>	<b>TRAP DIAMETER</b>	2'	<b>TRAP SEAL</b>	2-3/8'	<b>SHIPPING WEIGHT</b>	Model 5385CTK - 95 lbs. (43 kg)	<b>WARRANTY</b>	Vitreous China - Limited Lifetime Tank Trim - Limited Five-Year
<b>TRAP DIAMETER</b>	2'									
<b>TRAP SEAL</b>	2-3/8'									
<b>SHIPPING WEIGHT</b>	Model 5385CTK - 95 lbs. (43 kg)									
<b>WARRANTY</b>	Vitreous China - Limited Lifetime Tank Trim - Limited Five-Year									
<b>WATER PRESSURE RANGE</b>	20 to 80 PSI									
<b>FLUSH SYSTEM</b>	3' MagnaFlush™ Flushing Technology									
<b>WATER USAGE</b>	1.28 gpf / 4.8 lpf									
<b>WATER SURFACE AREA</b>	9' X 10'									
<b>ROUGH-IN</b>	10"									
<b>MAP RATING</b>	1,000 grams									

**TECHNICAL INFORMATION**

Note: these dimensions are nominal and subject to change without notice.



Fixture performance and specifications meet or exceed ASME A112.19.2/CSA B45.1 standards, and other state and local codes.



ITEM NO. 2412591 / MODEL NO. 5388CTK

**SUMMIT®****MANSFIELD®**

Round Front, SmartHeight™, Vitreous China, Two-Piece Toilet, Complete Toilet Kit

**FEATURES**

- Complete toilet kit (CTK)
- 1.28 gpf / 4.8 lpf high efficiency water consumption
- MagnaFlush™ high performance flushing technology
- PuraClean® easy-to-clean glazed surface
- Round front, SmartHeight™ bowl
- 3' Rigid Flapper flush valve – requires less force to flush, is more consistent and uses a simple universal repair part/seal
- Fluidmaster® Pilot anti-siphon fill valve
- 12" rough-in
- SmartFasten™ 3-bolt tank-to-bowl connection
- Model 57 chrome-plated, metal trip lever
- 2" glazed trapway
- The Mansfield® limited lifetime warranty on china, Five-year limited warranty on tank trim
- Available in White

**MODEL 5388CTK**

Toilet seat included

Complete Toilet Kit



CTK

ELONGATED

SMARTHEIGHT ADA

**COMPONENTS**

MODEL #	DESCRIPTION	CODES/STANDARDS
5388CTK	Round front, SmartHeight™ complete two-piece toilet kit. Includes: slow close toilet seat, tank and bowl, floor bolts, wax ring, caps and multi-lingual installation instructions. Water supply not included.	
388	Round front, SmartHeight™ toilet bowl only.	
387	Tank and lid only. With left hand, front-mount, chrome-plated metal trip lever.	
3700	Round, slow close toilet seat	
TANK TRIM & REPLACEMENT PARTS		
57	Trip Lever - chrome-plated metal trip lever, left hand	
400A	Fluidmaster® anti-siphon pilot fill valve	
2206	Anti-siphon pilot fill valve (compatible replacement)	
2036-1212	Summit® 1.28 Rigid Flapper flush valve	
630-0030	Replacement flush valve seal	
386-LID	Tank lid	

When properly installed, this product meets the requirements for the Americans with Disabilities Act of 1990 (ADA). Refer to local plumbing codes, as they may vary by location and application.



ITEM NO. 2412591 / MODEL NO. 5388CTK

**SUMMIT<sup>®</sup>**

**MANSFIELD<sup>®</sup>**



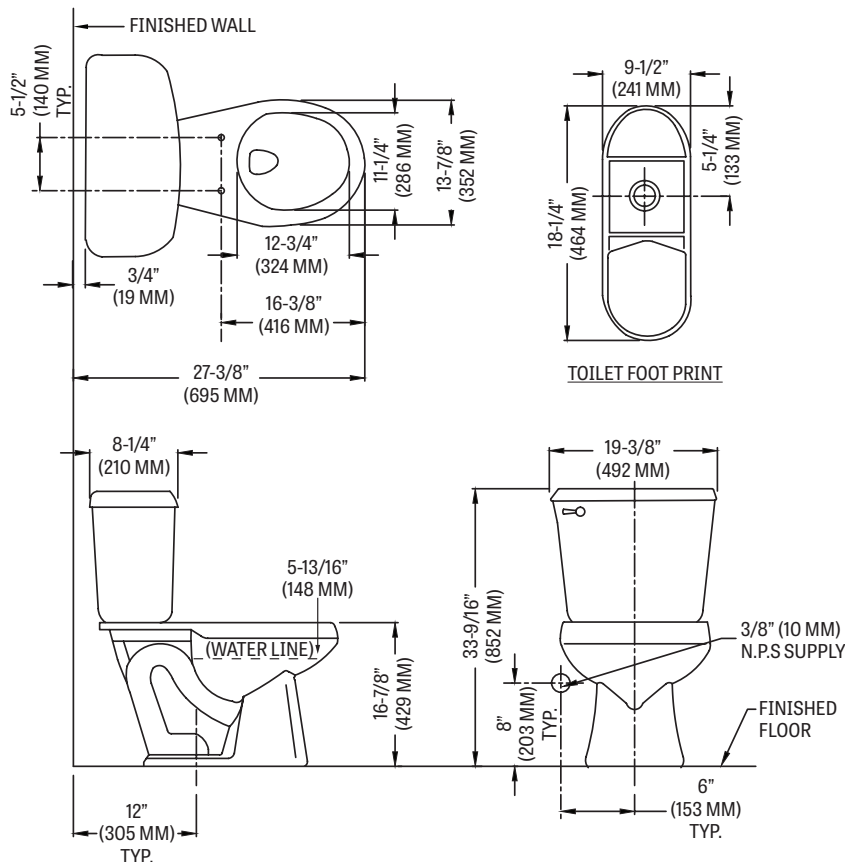
Round Front, SmartHeight™, Vitreous China, Two-Piece Toilet, Complete Toilet Kit

**SPECIFICATIONS**

MODEL #	DESCRIPTION	CODES/STANDARDS
5388CTK	Round front, SmartHeight™ (1.28 gpf/4.8 lpf) two-piece toilet kit	HIGH EFFICIENCY TOILET UPC WATERSENSE ADA COMPLIANT
<b>MATERIAL</b>	Vitreous China	
<b>WATER PRESSURE RANGE</b>	20 to 80 PSI	
<b>FLUSH SYSTEM</b>	3' MagnaFlush™ Flushing Technology	
<b>WATER USAGE</b>	1.28 gpf / 4.8 lpf	
<b>WATER SURFACE AREA</b>	8' X 9'	
<b>ROUGH-IN</b>	12'	
<b>MAP RATING</b>	1,000 grams	
<b>TRAP DIAMETER</b>	2'	
<b>TRAP SEAL</b>	2-1/4'	
<b>SHIPPING WEIGHT</b>	Model 5388CTK - 95 lbs. (43 kg)	
<b>WARRANTY</b>	Vitreous China - Limited Lifetime Tank Trim - Limited Five-Year	

**TECHNICAL INFORMATION**

**Note:** these dimensions are nominal and subject to change without notice.



Fixture performance and specifications meet or exceed ASME A112.19.2/CSA B45.1 standards, and other state and local codes.



2412593  
ITEM NOS. 3637700 / MODEL NO. 5916CTK

**DENALI®**

**MANSFIELD®**



Elongated Front, SmartHeight™, Vitreous China, Two-Piece Toilet, Complete Toilet Kit

## FEATURES

- Complete toilet kit (CTK)
- 1.28 gpf / 4.8 lpf high efficiency water consumption
- MagnaFlush™ high performance flushing technology
- PuraClean® easy-to-clean glazed surface
- Elongated front, SmartHeight™ bowl
- 3' Rigid Flapper flush valve – requires less force to flush, is more consistent and uses a simple universal repair part/seal
- Fluidmaster® Pilot anti-siphon fill valve
- 12" rough-in
- SmartFasten™ 2-bolt tank-to-bowl connection
- Model 77 decorative metal trip lever
- 2" glazed trapway
- The Mansfield® limited lifetime warranty on china, Five-year limited warranty on tank trim
- Available in White and Bone



**MODEL 5916CTK**

Toilet seat included

Complete Toilet Kit



CTK

ELONGATED

SMARTHEIGHT ADA

## COMPONENTS

MODEL #	DESCRIPTION	CODES/STANDARDS
5916CTK	Elongated front, SmartHeight™ complete two-piece toilet kit. Includes: slow close toilet seat, tank and bowl, floor bolts, wax ring, caps and multi-lingual installation instructions. Water supply not included.	
4977	Elongated front, SmartHeight™ toilet bowl only.	
2916	Tank and lid only. With left hand, chrome-plated metal trip lever.	
3800	Elongated, slow close toilet seat	
TANK TRIM & REPLACEMENT PARTS		
77	Trip Lever - chrome-plated metal trip lever, left hand	
400A	Fluidmaster® anti-siphon pilot fill valve	
2206	Anti-siphon pilot fill valve (compatible replacement)	
2916-1112	Denali® 1.28 Rigid Flapper flush valve	
630-0030	Replacement flush valve seal	
3916-LID	Tank lid	

When properly installed, this product meets the requirements for the Americans with Disabilities Act of 1990 (ADA). Refer to local plumbing codes, as they may vary by location and application.



2412593  
 ITEM NOS. 3637700 / MODEL NO. 5916CTK  
**DENALI**<sup>®</sup>

**MANSFIELD**<sup>®</sup>



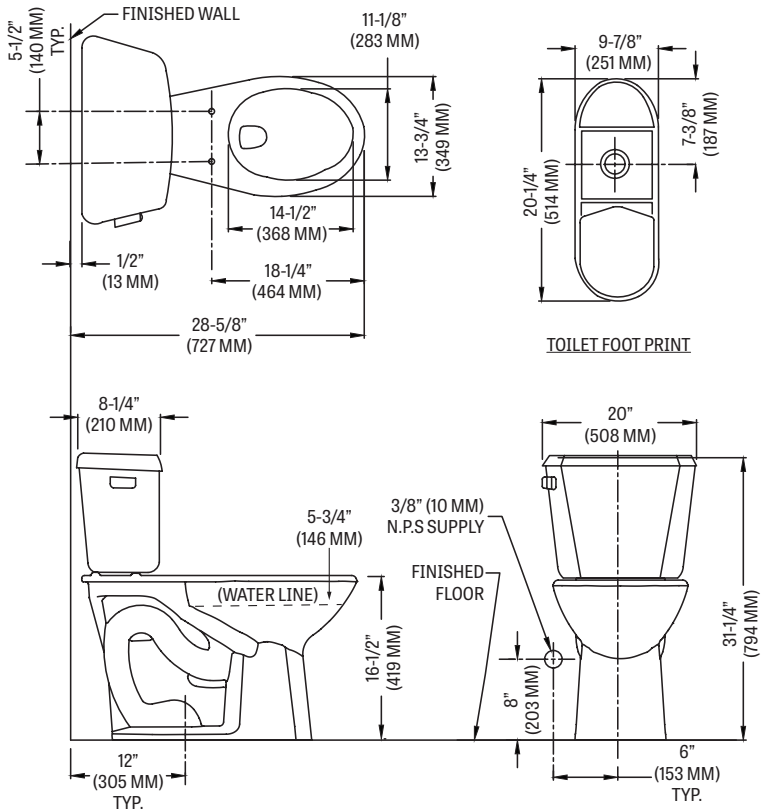
Elongated Front, SmartHeight™, Vitreous China, Two-Piece Toilet, Complete Toilet Kit

**SPECIFICATIONS**

MODEL #	DESCRIPTION	CODES/STANDARDS								
5916CTK	Elongated front, SmartHeight™ (1.28 gpf/4.8 lpf) two-piece toilet kit	HIGH EFFICIENCY TOILET UPC WATERSENSE <small>Meets EPA Criteria</small> ADA COMPLIANT								
<b>MATERIAL</b>	Vitreous China	<table border="1"> <tr> <td><b>TRAP DIAMETER</b></td> <td>2'</td> </tr> <tr> <td><b>TRAP SEAL</b></td> <td>2'</td> </tr> <tr> <td><b>SHIPPING WEIGHT</b></td> <td>Model 5916CTK - 94 lbs. (43 kg)</td> </tr> <tr> <td><b>WARRANTY</b></td> <td>Vitreous China - Limited Lifetime Tank Trim - Limited Five-Year</td> </tr> </table>	<b>TRAP DIAMETER</b>	2'	<b>TRAP SEAL</b>	2'	<b>SHIPPING WEIGHT</b>	Model 5916CTK - 94 lbs. (43 kg)	<b>WARRANTY</b>	Vitreous China - Limited Lifetime Tank Trim - Limited Five-Year
<b>TRAP DIAMETER</b>	2'									
<b>TRAP SEAL</b>	2'									
<b>SHIPPING WEIGHT</b>	Model 5916CTK - 94 lbs. (43 kg)									
<b>WARRANTY</b>	Vitreous China - Limited Lifetime Tank Trim - Limited Five-Year									
<b>WATER PRESSURE RANGE</b>	20 to 80 PSI									
<b>FLUSH SYSTEM</b>	3' MagnaFlush™ Flushing Technology									
<b>WATER USAGE</b>	1.28 gpf / 4.8 lpf									
<b>WATER SURFACE AREA</b>	6-1/2' X 9-3/4'									
<b>ROUGH-IN</b>	12'									
<b>MAP RATING</b>	1,000 grams									

**TECHNICAL INFORMATION**

**Note:** these dimensions are nominal and subject to change without notice.



Fixture performance and specifications meet or exceed ASME A112.19.2/CSA B45.1 standards, and other state and local codes.



ITEM NO. 3487079 / MODEL NO. 5997CTK

**VANQUISH® 2****MANSFIELD®**

Elongated Front, SmartHeight™, Vitreous China, Two-Piece Toilet, Complete Toilet Kit

**FEATURES**

- Complete toilet kit (CTK)
- 1.28 gpf / 4.8 lpf high efficiency water consumption
- Elongated front, SmartHeight™ bowl
- Seamless, enclosed ring seat with hygienic light touch lift tabs eliminate contact with common contamination points
- Quick release seat for complete and easy cleaning
- Powerful dual side-jet flushing engine with 2x rim jetted rinse
- 3' Fluidmaster® flush valve for reliable and consistent performance
- Fluidmaster® pilot operated anti-siphon fill valve
- SmartFasten™ 2-bolt tank-to-bowl connection
- PuraClean® easy-to-clean glazed surface
- Model 84 decorative metal side-mount trip lever, chrome finish included
- 2' glazed trapway
- 12' rough-in
- The Mansfield® limited lifetime warranty on china, Five-year limited warranty on tank trim
- Available in White

**MODEL 5997CTK**

Toilet seat included

Complete Toilet Kit



CTK



ELONGATED



SMARTHEIGHT ADA

**COMPONENTS**

MODEL #	DESCRIPTION	CODES/STANDARDS
5997CTK	Elongated front, SmartHeight™ complete two-piece toilet kit. Includes: slow close toilet seat, tank and bowl, floor bolts, wax ring, caps and multi-lingual installation instructions. Water supply not included.	
5997	Elongated front, SmartHeight™ bowl with enclosed ring seat.	
1587	Tank and lid only. With left hand, chrome-plated metal trip lever.	
SB4100	Slow close seat with quick-release connection & enclosed ring.	
<b>TANK TRIM &amp; REPLACEMENT PARTS</b>		
84CH	Trip Lever - chrome-plated metal trip lever, left hand	
FM-400A	Fluidmaster® anti-siphon pilot fill valve	
FM-540	Fluidmaster® flush valve	
1587-LID	Tank lid	

When properly installed, this product meets the requirements for the Americans with Disabilities Act of 1990 (ADA). Refer to local plumbing codes, as they may vary by location and application.



ITEM NO. 3487079 / MODEL NO. 5997CTK

# VANQUISH<sup>®</sup> 2

# MANSFIELD<sup>®</sup>



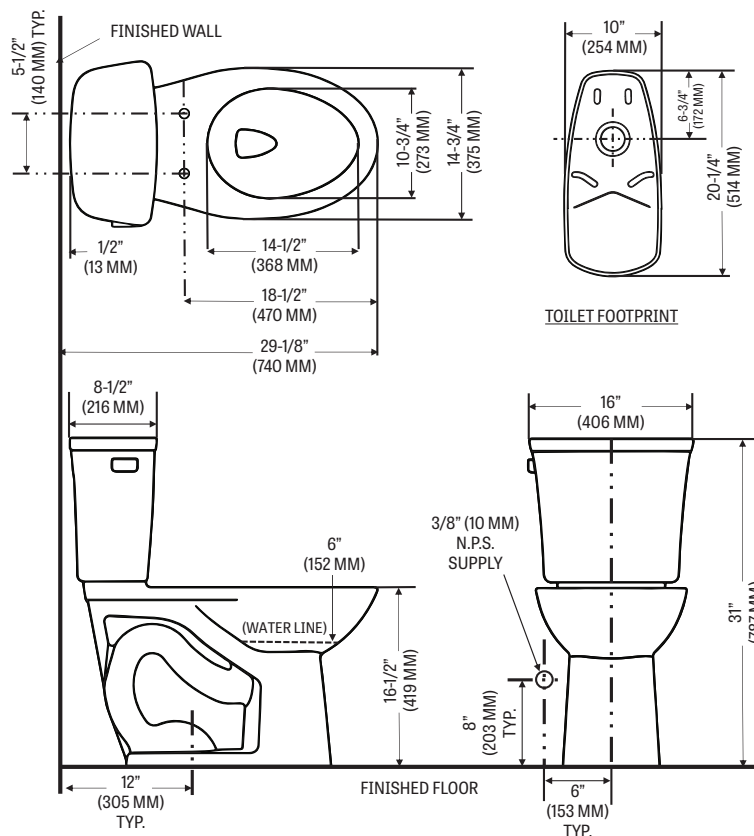
Elongated Front, SmartHeight™, Vitreous China, Two-Piece Toilet, Complete Toilet Kit

## SPECIFICATIONS

MODEL #	DESCRIPTION	CODES/STANDARDS								
5997CTK	Elongated front, SmartHeight™ (1.28 gpf/4.8 lpf) two-piece toilet kit									
<b>MATERIAL</b>	Vitreous China	<table border="1"> <tr> <td><b>TRAP DIAMETER</b></td> <td>2'</td> </tr> <tr> <td><b>TRAP SEAL</b></td> <td>2-3/8'</td> </tr> <tr> <td><b>SHIPPING WEIGHT</b></td> <td>Model 5997CTK - 95 lbs. (kg)</td> </tr> <tr> <td><b>WARRANTY</b></td> <td>Vitreous China - Limited Lifetime Tank Trim - Limited Five-Year</td> </tr> </table>	<b>TRAP DIAMETER</b>	2'	<b>TRAP SEAL</b>	2-3/8'	<b>SHIPPING WEIGHT</b>	Model 5997CTK - 95 lbs. (kg)	<b>WARRANTY</b>	Vitreous China - Limited Lifetime Tank Trim - Limited Five-Year
<b>TRAP DIAMETER</b>	2'									
<b>TRAP SEAL</b>	2-3/8'									
<b>SHIPPING WEIGHT</b>	Model 5997CTK - 95 lbs. (kg)									
<b>WARRANTY</b>	Vitreous China - Limited Lifetime Tank Trim - Limited Five-Year									
<b>WATER PRESSURE RANGE</b>	20 to 80 PSI									
<b>FLUSH SYSTEM</b>	3' Fluidmaster Flush Valve									
<b>WATER USAGE</b>	1.28 gpf / 4.8 lpf									
<b>WATER SURFACE AREA</b>	9' X 8'									
<b>ROUGH-IN</b>	12'									
<b>MAP RATING</b>	800 grams									

## TECHNICAL INFORMATION

Note: these dimensions are nominal and subject to change without notice.



Fixture performance and specifications meet or exceed ASME A112.19.2/CSA B45.1 standards, and other state and local codes.