

ITEM NO. 3492111 / MODEL NO. LOW-3303-00

PRO-FIT® STEEL 54**MANSFIELD®**

54" x 30" x 15-1/4", Porcelain Enameled Steel, Bathtub, Left-Hand

FEATURES

- Compact one-piece design to save space in the bathroom
- High-gloss, durable porcelain finish is non-porous, easy to clean and won't fade, stain or crack
- Full slip-resistant surface
- Full length leveling pad provides support and easier installation, no mortar required
- Integrated tiling flange and apron for watertight installation
- Rectangular model with left-hand end drain
- 1-year limited warranty
- Installation: Alcove
- Available in White

**MODEL LOW-3303-00**

Bath



BATH

COMPONENTS

MODEL #	DESCRIPTION	CODES/STANDARDS
LOW-3303-00	54" x 30" x 15-1/4" Rectangular Enameled Steel Bathtub. Drain not included.	All bathtub products comply with ASME A112.19.1/CSA B45.2 for Enameled Steel Plumbing Fixtures (US and Canada)



ITEM NO. 3492111 / MODEL NO. LOW-3303-00

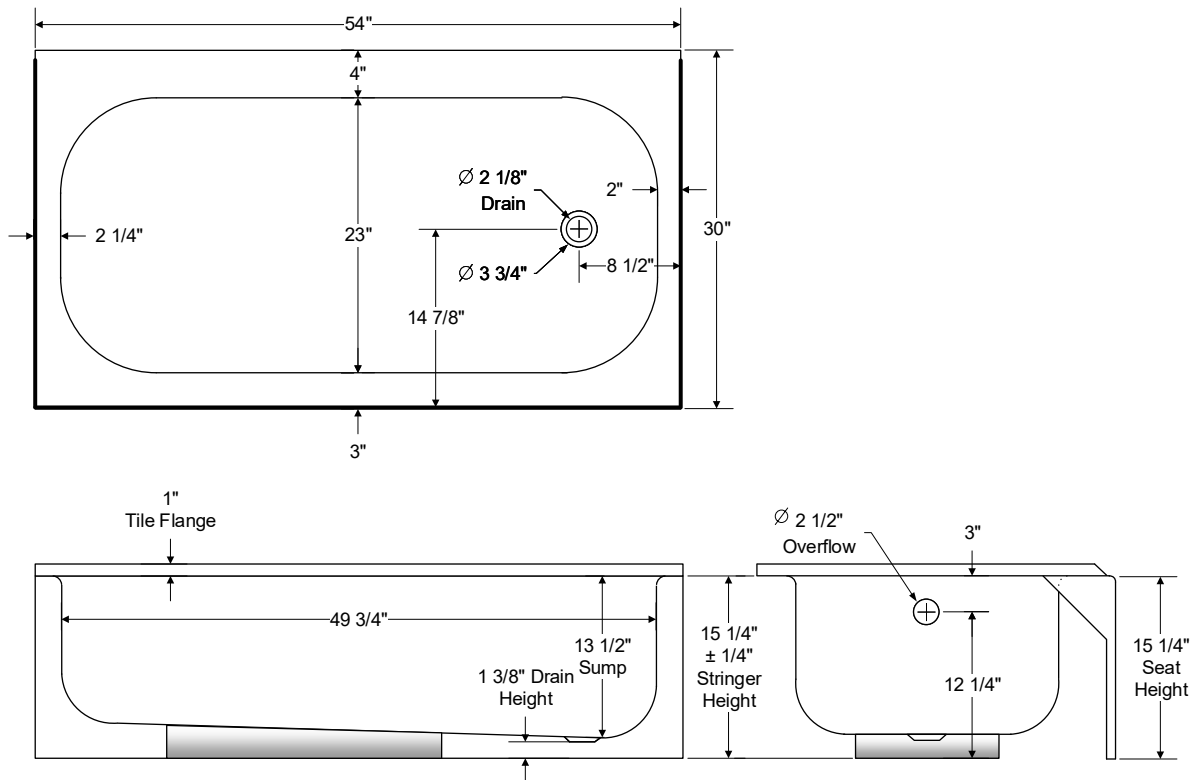
PRO-FIT® STEEL 54**MANSFIELD®**

54" x 30" x 15-1/4", Porcelain Enameled Steel, Bathtub, Left-Hand

SPECIFICATIONS

MATERIAL	Porcelain Enamel
DRAIN LOCATION	Left
WATER CAPACITY	34 gal.

DECK WIDTH	30"
BATHING WELL	49-3/4" x 23"
PRODUCT WEIGHT	66 lbs. (30 kg)
WARRANTY	1-Year

TECHNICAL INFORMATION**Note:** these dimensions are nominal and subject to change without notice.

ITEM NO. 3492112 / MODEL NO. LOW-3302-00

PRO-FIT® STEEL 54**MANSFIELD®**

54" x 30" x 15-1/4", Porcelain Enameled Steel, Bathtub, Right-Hand

FEATURES

- Compact one-piece design to save space in the bathroom
- High-gloss, durable porcelain finish is non-porous, easy to clean and won't fade, stain or crack
- Full slip-resistant surface
- Full length leveling pad provides support and easier installation, no mortar required
- Integrated tiling flange and apron for watertight installation
- Rectangular model with right-hand end drain
- 1-year limited warranty
- Installation: Alcove
- Available in White

**MODEL LOW-3302-00**

Bath



BATH

COMPONENTS

MODEL #	DESCRIPTION	CODES/STANDARDS
LOW-3302-00	54" x 30" x 15-1/4" Rectangular Enameled Steel Bathtub. Drain not included.	All bathtub products comply with ASME A112.19.1/CSA B45.2 for Enameled Steel Plumbing Fixtures (US and Canada)



ITEM NO. 3492112 / MODEL NO. LOW-3302-00

MANSFIELD®



PRO-FIT® STEEL 54

54" x 30" x 15-1/4", Porcelain Enameled Steel, Bathtub, Right-Hand

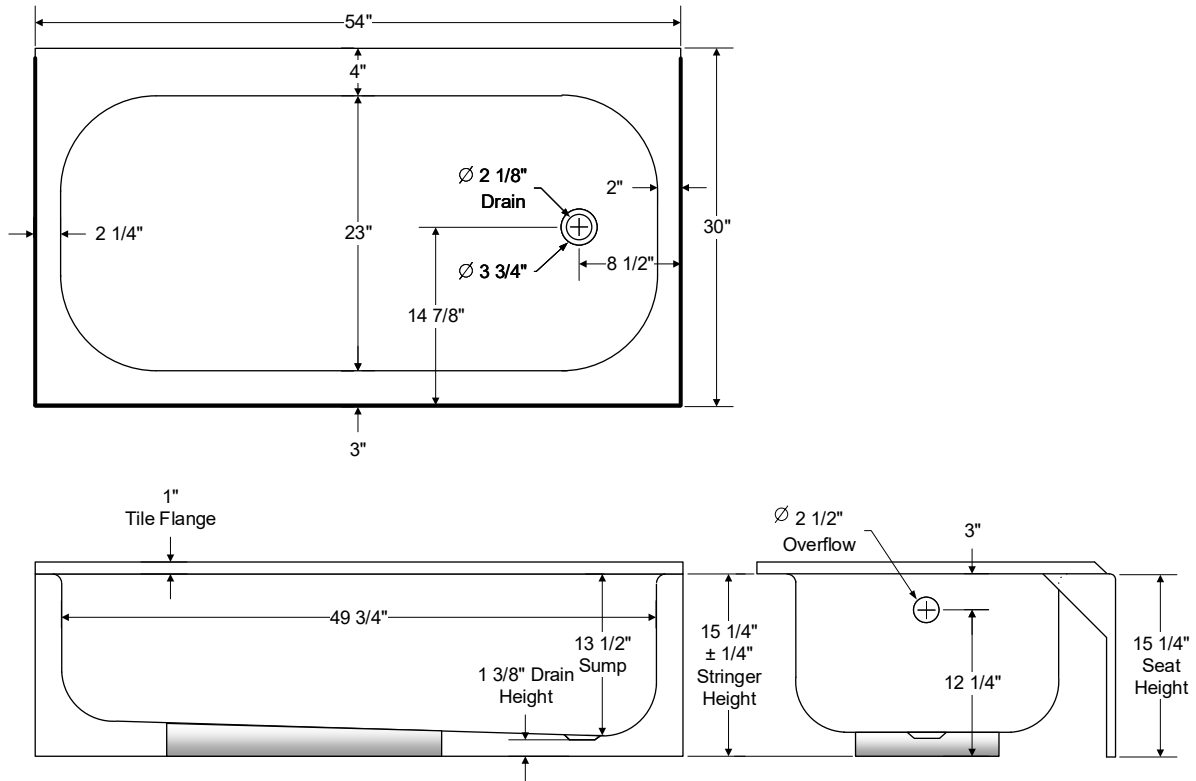
SPECIFICATIONS

MATERIAL	Porcelain Enamel
DRAIN LOCATION	Right
WATER CAPACITY	34 gal.

DECK WIDTH	30"
BATHING WELL	49-3/4" x 23"
PRODUCT WEIGHT	66 lbs. (30 kg)
WARRANTY	1-Year

TECHNICAL INFORMATION

Note: these dimensions are nominal and subject to change without notice; all line drawings depict the left-hand drain version of the product.



Available at

ITEM NO. 3492113 / MODEL NO. LOW-1003-00CH

PRO-FIT® BASE 6030

MANSFIELD®



60" x 30" x 4", Porcelain Enameled Steel, Shower Base, Left-Hand

FEATURES

- High-gloss, durable porcelain finish is non-porous, easy to clean and won't fade, stain or crack
- Full slip-resistant surface
- Full length leveling pad provides support and easier installation, no mortar required
- Size is perfect for replacing a bathtub installation
- Integrated tiling flange for watertight installation
- Rectangular model with left-hand end drain
- Limited lifetime warranty
- Available in White



MODEL LOW-1003-00

Shower Base

COMPONENTS

MODEL #	DESCRIPTION	CODES/STANDARDS
LOW-1003-00CH	60" x 30" x 4" Rectangular Enameled Steel Shower Base with chrome drain included.	Complies with ASME A112.19.1/CSA B45.2 for Enameled Steel Plumbing Fixtures (US and Canada)



ITEM NO. 3492113 / MODEL NO. LOW-1003-00CH

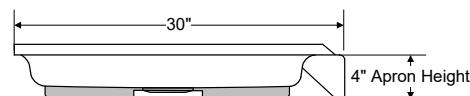
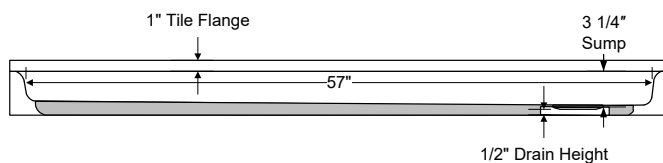
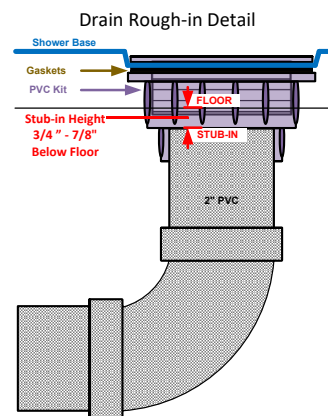
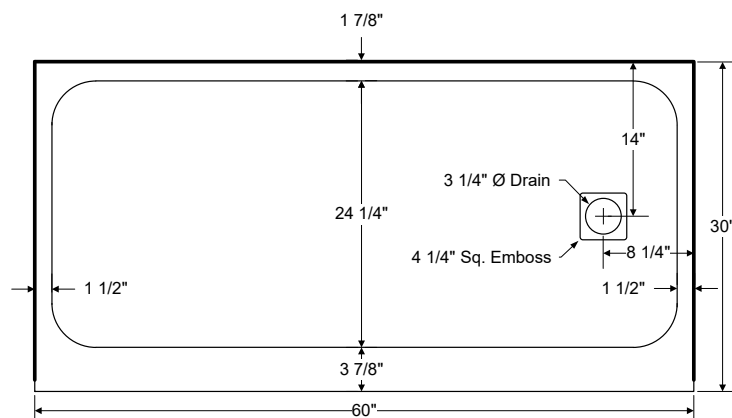
PRO-FIT® BASE 6030**MANSFIELD®**

60" x 30" x 4", Porcelain Enameled Steel, Shower Base, Left-Hand

SPECIFICATIONS

MATERIAL	Porcelain Enamel
DRAIN LOCATION	Left
DRAIN KIT INCLUDED	Yes

THRESHOLD HEIGHT	4"
SHAPE	Rectangular
PRODUCT WEIGHT	45 lbs. (20 kg)
WARRANTY	Limited Lifetime

TECHNICAL INFORMATION**Note:** these dimensions are nominal and subject to change without notice.

Available at

ITEM NO. 3492114 / MODEL NO. LOW-1002-00CH

PRO-FIT® BASE 6030

MANSFIELD®



60" x 30" x 4", Porcelain Enameled Steel, Shower Base, Right-Hand

FEATURES

- High-gloss, durable porcelain finish is non-porous, easy to clean and won't fade, stain or crack
- Full slip-resistant surface
- Full length leveling pad provides support and easier installation, no mortar required
- Size is perfect for replacing a bathtub installation
- Integrated tiling flange for watertight installation
- Rectangular model with right-hand end drain
- Limited lifetime warranty
- Available in White



MODEL LOW-1002-00	
Shower Base	

COMPONENTS

MODEL #	DESCRIPTION	CODES/STANDARDS
LOW-1002-00CH	60" x 30" x 4" Rectangular Enameled Steel Shower Base with chrome drain included.	Complies with ASME A112.19.1/CSA B45.2 for Enameled Steel Plumbing Fixtures (US and Canada)



ITEM NO. 3492114 / MODEL NO. LOW-1002-00CH

PRO-FIT® BASE 6030

MANSFIELD®



60" x 30" x 4", Porcelain Enameled Steel, Shower Base, Right-Hand

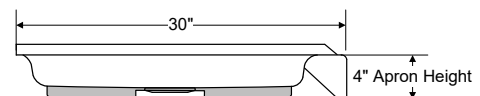
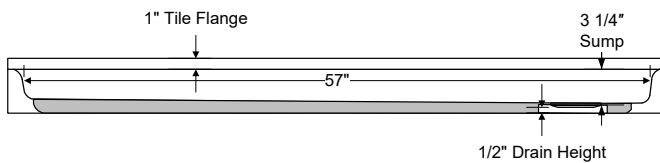
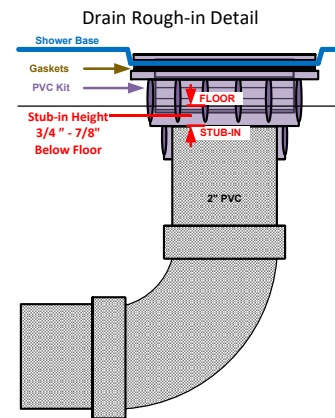
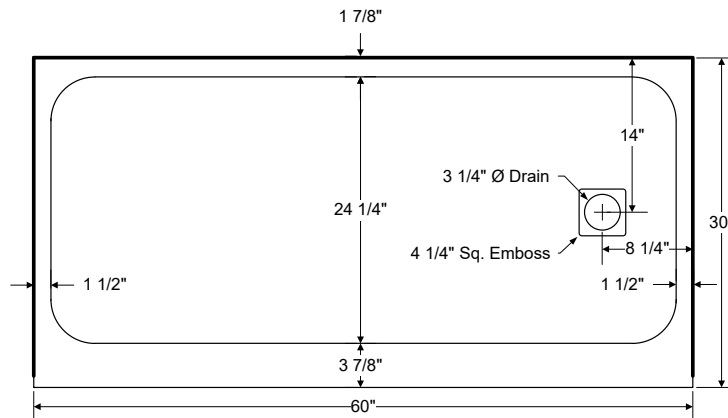
SPECIFICATIONS

MATERIAL	Porcelain Enamel
DRAIN LOCATION	Right
DRAIN KIT INCLUDED	Yes

THRESHOLD HEIGHT	4"
SHAPE	Rectangular
PRODUCT WEIGHT	45 lbs. (20 kg)
WARRANTY	Limited Lifetime

TECHNICAL INFORMATION

Note: these dimensions are nominal and subject to change without notice; all line drawings depict the left-hand drain version of the product.



Available at



ITEM NO. 3492115 / MODEL NO. LOW-1103-00CH

MANSFIELD®

PRO-FIT® BASE 6032

60" x 32" x 4", Porcelain Enameled Steel, Shower Base, Left-Hand

FEATURES

- High-gloss, durable porcelain finish is non-porous, easy to clean and won't fade, stain or crack
- Full slip-resistant surface
- Full length leveling pad provides support and easier installation, no mortar required
- Size is perfect for replacing a bathtub installation
- Integrated tiling flange for watertight installation
- Rectangular model with left-hand end drain
- Limited lifetime warranty
- Available in White



MODEL LOW-1103-00	
Shower Base	

COMPONENTS

MODEL #	DESCRIPTION	CODES/STANDARDS
LOW-1103-00CH	60" x 32" x 4" Rectangular Enameled Steel Shower Base with chrome drain included.	Complies with ASME A112.19.1/CSA B45.2 for Enameled Steel Plumbing Fixtures (US and Canada)



ITEM NO. 3492115 / MODEL NO. LOW-1103-00CH

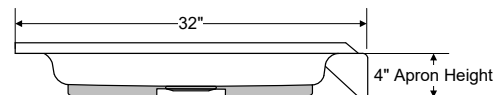
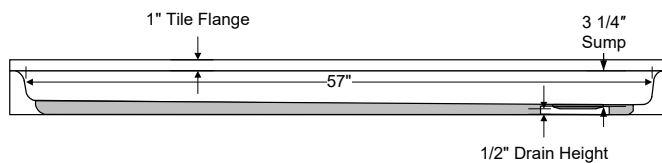
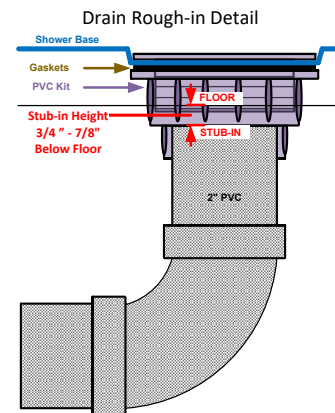
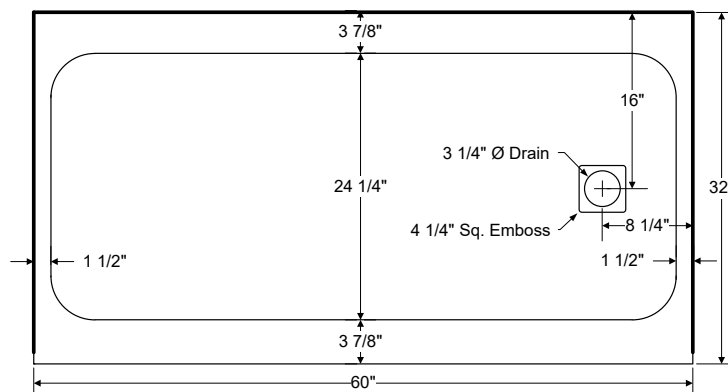
PRO-FIT® BASE 6032**MANSFIELD®**

60" x 32" x 4", Porcelain Enameled Steel, Shower Base, Left-Hand

SPECIFICATIONS

MATERIAL	Porcelain Enamel
DRAIN LOCATION	Left
DRAIN KIT INCLUDED	Yes

THRESHOLD HEIGHT	4"
SHAPE	Rectangular
PRODUCT WEIGHT	48 lbs. (22 kg)
WARRANTY	Limited Lifetime

TECHNICAL INFORMATION**Note:** these dimensions are nominal and subject to change without notice.

Available at

ITEM NO. 3492116 / MODEL NO. LOW-1102-00CH

PRO-FIT® BASE 6032

MANSFIELD®



60" x 32" x 4", Porcelain Enameled Steel, Shower Base, Right-Hand

FEATURES

- High-gloss, durable porcelain finish is non-porous, easy to clean and won't fade, stain or crack
- Full slip-resistant surface
- Full length leveling pad provides support and easier installation, no mortar required
- Size is perfect for replacing a bathtub installation
- Integrated tiling flange for watertight installation
- Rectangular model with right-hand end drain
- Limited lifetime warranty
- Available in White



MODEL LOW-1102-00

Shower Base

COMPONENTS

MODEL #	DESCRIPTION	CODES/STANDARDS
LOW-1102-00CH	60" x 32" x 4" Rectangular Enameled Steel Shower Base with chrome drain included.	Complies with ASME A112.19.1/CSA B45.2 for Enameled Steel Plumbing Fixtures (US and Canada)



ITEM NO. 3492116 / MODEL NO. LOW-1102-00CH

PRO-FIT® BASE 6032

MANSFIELD®



60" x 32" x 4", Porcelain Enameled Steel, Shower Base, Right-Hand

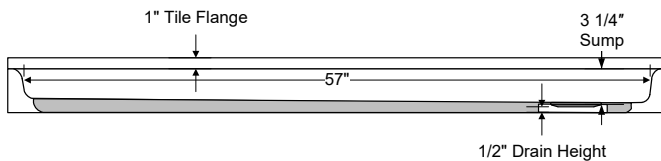
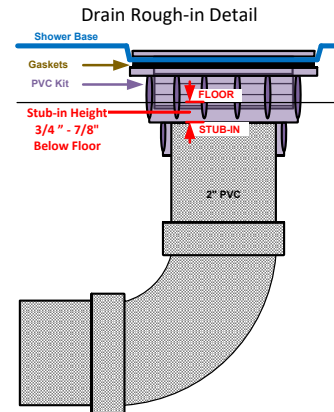
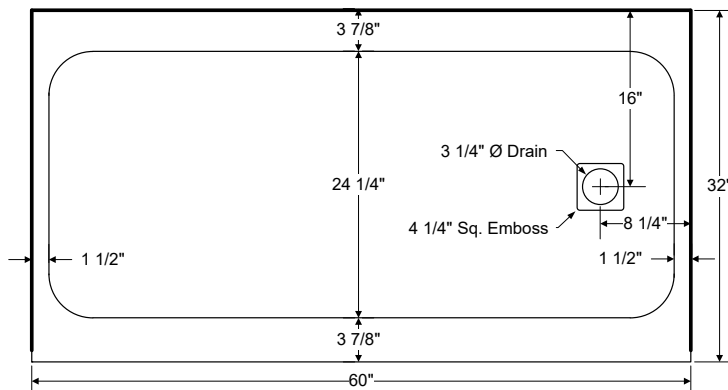
SPECIFICATIONS

MATERIAL	Porcelain Enamel
DRAIN LOCATION	Right
DRAIN KIT INCLUDED	Yes

THRESHOLD HEIGHT	4"
SHAPE	Rectangular
PRODUCT WEIGHT	48 lbs. (22 kg)
WARRANTY	Limited Lifetime

TECHNICAL INFORMATION

Note: these dimensions are nominal and subject to change without notice; all line drawings depict the left-hand drain version of the product.



ITEM NO. 3492117 / MODEL NO. LOW-6100-00

MANSFIELD[®]



NEXTILE SURROUND

60" x 30" x 60", Fiberglass/Plastic Composite, Bathtub Wall Surround

FEATURES

- Realistic look of tile and grout lines without the hassle of messy installation
- High-gloss composite finish with realistic subway tile pattern is groutless and easy to clean
- Spacious wall-to-wall storage niche allows room for large bottles and real decorative tile can be added for a customized look
- 4-Piece panel wall system is quick and easy to install by one person and has direct-to-stud installation
- Panels easily fit through existing doorways
- Nails directly to studs for fast installation
- No surface coating to chip or crack - color runs throughout
- Compatible with most 60-in x 30-in bathtubs
- 15-year warranty
- Available in White



MODEL LOW-6100-00	
Bathtub Wall Surround	

COMPONENTS

MODEL #	DESCRIPTION	CODES/STANDARDS
LOW-6100-00	60' x 30' x 60' 4-Piece Composite Bathtub Wall Surround	



ITEM NO. 3492117 / MODEL NO. LOW-6100-00

MANSFIELD®



NEXTILE SURROUND

60" x 30" x 60", Fiberglass/Plastic Composite, Bathtub Wall Surround

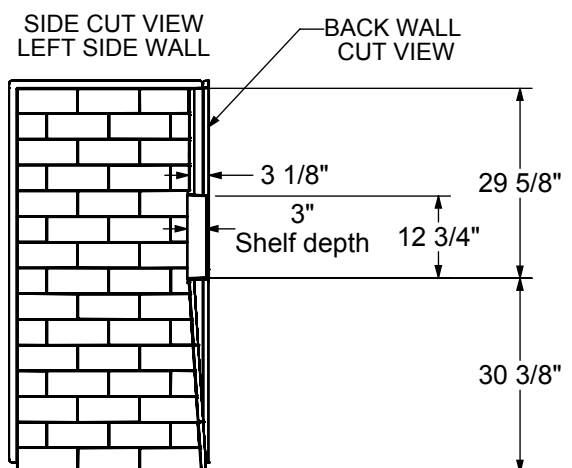
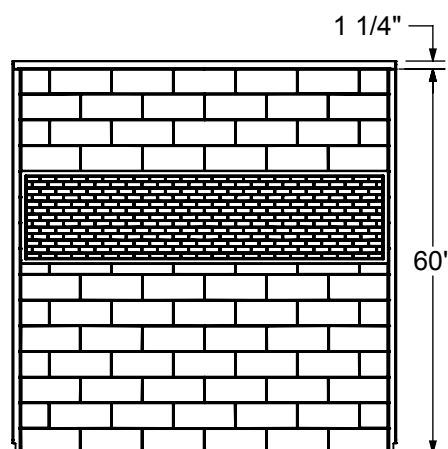
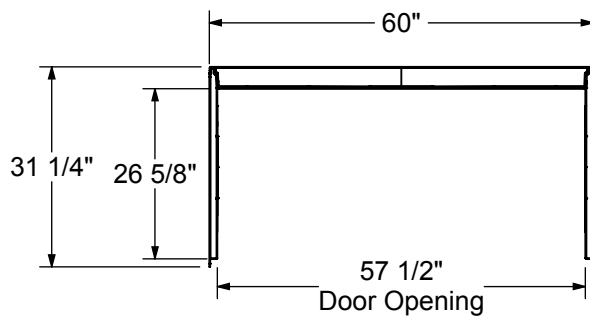
SPECIFICATIONS

MATERIAL	Fiberglass/Plastic Composite
INSTALLATION TYPE	Direct-to-stud
CONFIGURATION	Alcove

SHELF INCLUDED	Yes
NUMBER OF PANELS	4
PRODUCT WEIGHT	95 lbs. (43kg)
WARRANTY	15-Year

TECHNICAL INFORMATION

Note: these dimensions are nominal and subject to change without notice.



ITEM NO. 3492118 / MODEL NO. LOW-5100-00

NEXTILE SURROUND

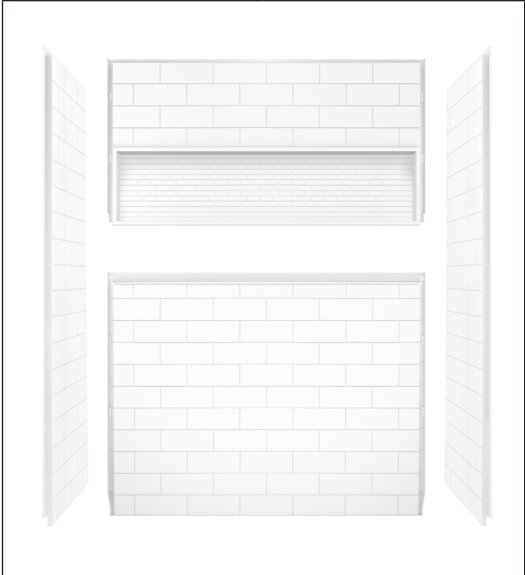
MANSFIELD®



60" x 30" x 74", Fiberglass/Plastic Composite, Shower Wall Surround

FEATURES

- Realistic look of tile and grout lines without the hassle of messy installation
- High-gloss composite finish with realistic subway tile pattern is groutless and easy to clean
- Spacious wall-to-wall storage niche allows room for large bottles and real decorative tile can be added for a customized look
- 4-Piece panel wall system is quick and easy to install by one person and has direct-to-stud installation
- Panels easily fit through existing doorways
- Nails directly to studs for fast installation
- No surface coating to chip or crack - color runs throughout
- Compatible with 60-in x 30-in Mansfield enameled steel shower base
- 15-year warranty
- Available in White



MODEL LOW-5100-00	
Shower Wall Surround	

COMPONENTS

MODEL #	DESCRIPTION	CODES/STANDARDS
LOW-5100-00	60" x 30" x 74" 4-Piece Composite Shower Wall Surround	



ITEM NO. 3492118 / MODEL NO. LOW-5100-00

MANSFIELD®



NEXTILE SURROUND

60" x 30" x 74", Fiberglass/Plastic Composite, Shower Wall Surround

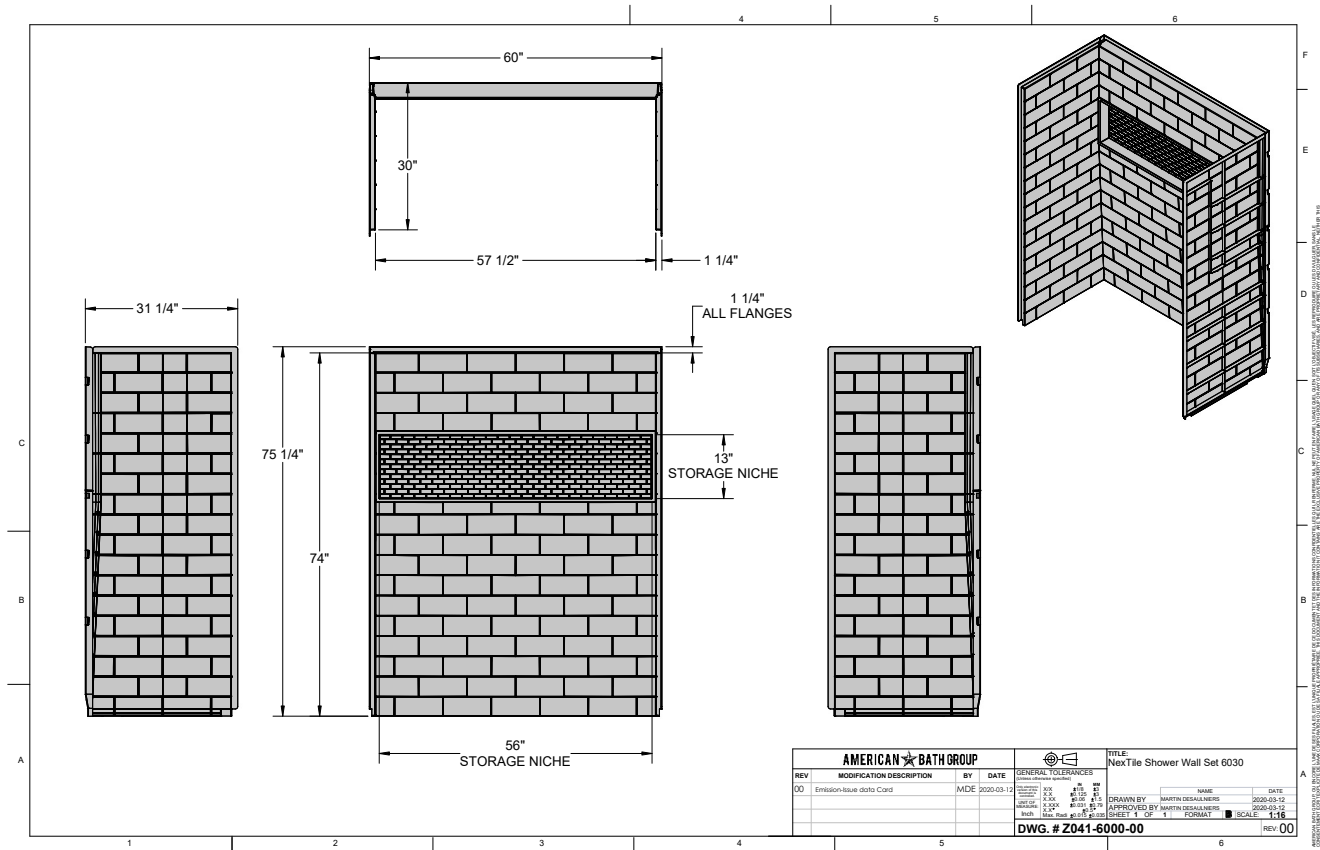
SPECIFICATIONS

MATERIAL	Fiberglass/Plastic Composite
INSTALLATION TYPE	Direct-to-stud
CONFIGURATION	Alcove

SHELF INCLUDED	Yes
NUMBER OF PANELS	4
PRODUCT WEIGHT	125 lbs. (57kg)
WARRANTY	15-Year

TECHNICAL INFORMATION

Note: these dimensions are nominal and subject to change without notice.



ITEM NO. 3492119 / MODEL NO. LOW-3393-00

PRO-FIT® CAST**MANSFIELD®**

60" x 30" x 14-1/4", Porcelain Enameled Steel, Bathtub, Left-Hand

FEATURES

- Encased in foam to provide heat retention and noise reduction
- High-gloss, durable porcelain finish is non-porous, easy to clean and won't fade, stain or crack
- Full slip-resistant surface
- Full length leveling pad provides support and easier installation, no mortar required
- Integrated tiling flange and apron for watertight installation
- Rectangular model with left-hand end drain
- Limited lifetime warranty
- Installation: Alcove
- Available in White

**MODEL LOW-3393-00**

Bath



BATH

COMPONENTS

MODEL #	DESCRIPTION	CODES/STANDARDS
LOW-3393-00	60" x 30" x 14-1/4" Rectangular Enameled Steel Bathtub. Drain not included.	All bathtub products comply with ASME A112.19.1/CSA B45.2 for Enameled Steel Plumbing Fixtures (US and Canada)



ITEM NO. 3492119 / MODEL NO. LOW-3393-00

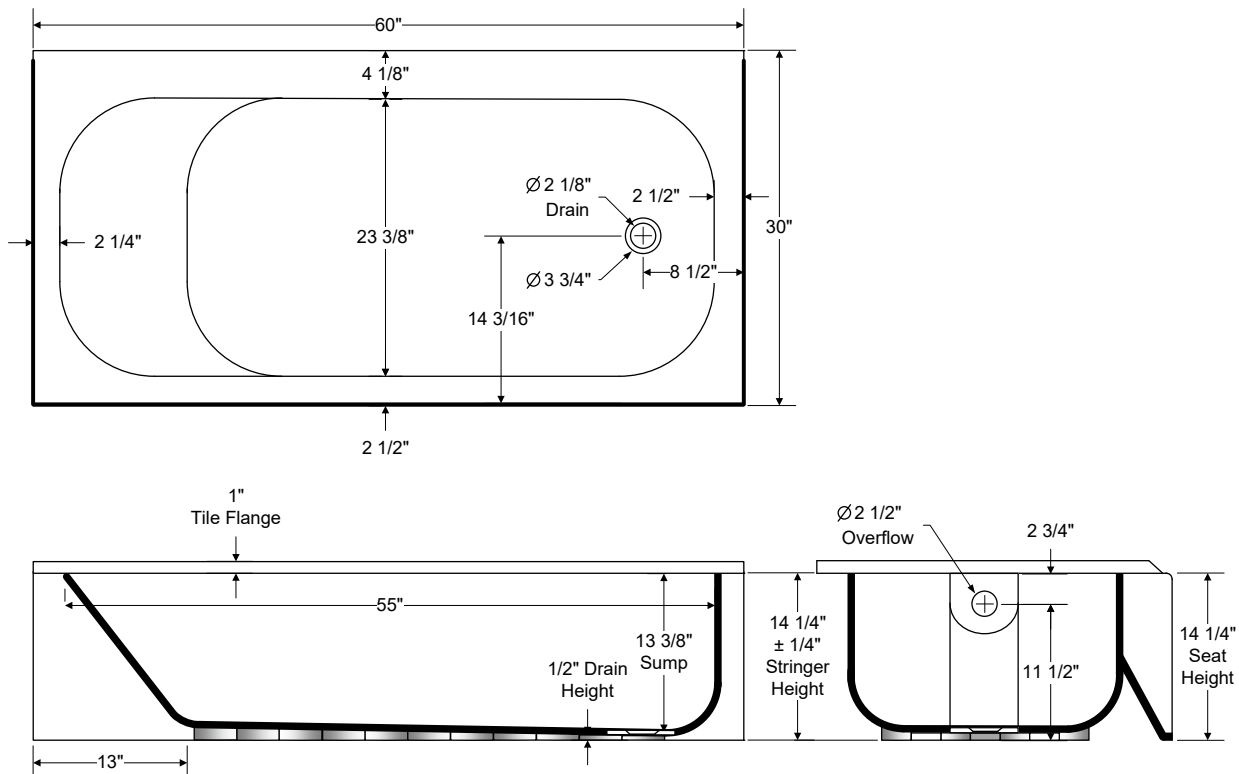
MANSFIELD®**PRO-FIT® CAST**

60" x 30" x 14-1/4", Porcelain Enameled Steel, Bathtub, Left-Hand

SPECIFICATIONS

MATERIAL	Porcelain Enamel
DRAIN LOCATION	Left
WATER CAPACITY	42 gal.

DECK WIDTH	30"
BATHING WELL	55" x 23-3/8"
PRODUCT WEIGHT	75 lbs. (34 kg)
WARRANTY	Limited Lifetime

TECHNICAL INFORMATION**Note:** these dimensions are nominal and subject to change without notice.

Available at

ITEM NO. 3492120 / MODEL NO. LOW-3392-00

MANSFIELD®



PRO-FIT® CAST

60" x 30" x 14-1/4", Porcelain Enameled Steel, Bathtub, Right-Hand

FEATURES

- Encased in foam to provide heat retention and noise reduction
- High-gloss, durable porcelain finish is non-porous, easy to clean and won't fade, stain or crack
- Full slip-resistant surface
- Full length leveling pad provides support and easier installation, no mortar required
- Integrated tiling flange and apron for watertight installation
- Rectangular model with right-hand end drain
- Limited lifetime warranty
- Installation: Alcove
- Available in White



MODEL LOW-3392-00

Bath



BATH

COMPONENTS

MODEL #	DESCRIPTION	CODES/STANDARDS
LOW-3392-00	60" x 30" x 14-1/4" Rectangular Enameled Steel Bathtub. Drain not included.	All bathtub products comply with ASME A112.19.1/CSA B45.2 for Enameled Steel Plumbing Fixtures (US and Canada)



ITEM NO. 3492120 / MODEL NO. LOW-3392-00

MANSFIELD®**PRO-FIT® CAST**

60" x 30" x 14-1/4", Porcelain Enameled Steel, Bathtub, Right-Hand

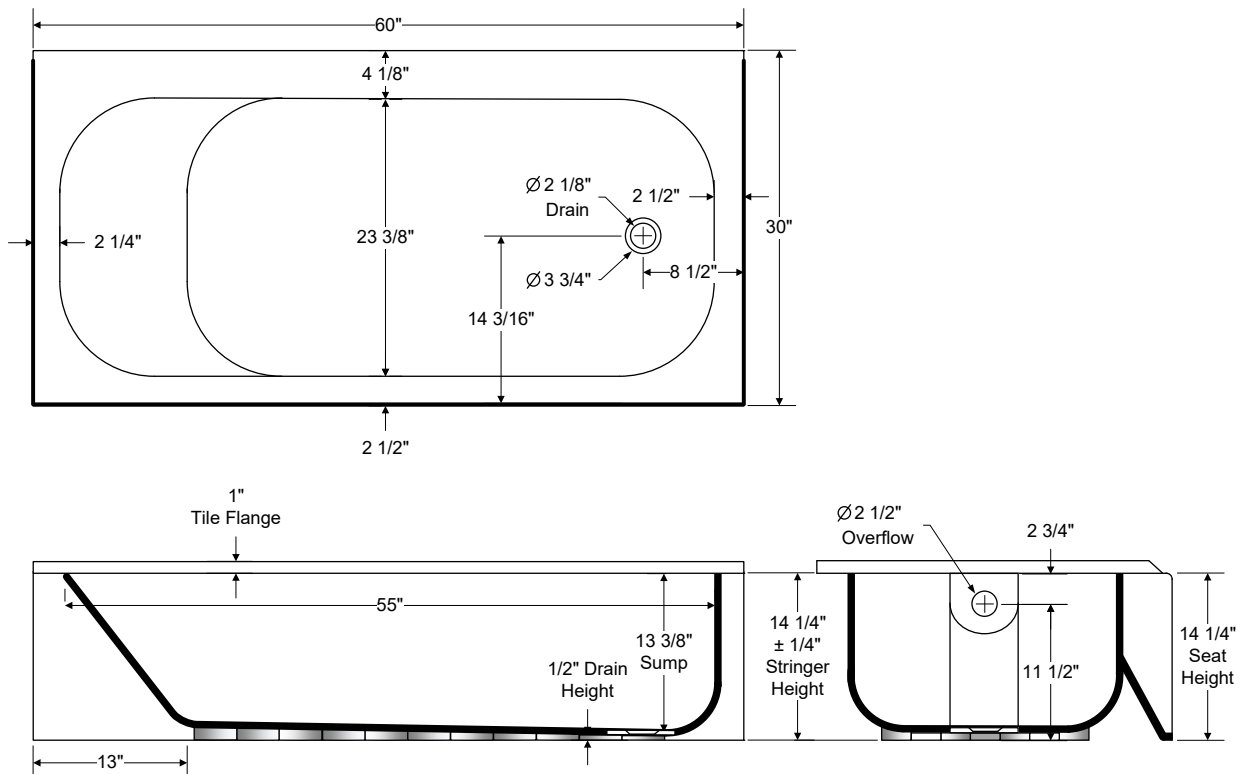
SPECIFICATIONS

MATERIAL	Porcelain Enamel
DRAIN LOCATION	Right
WATER CAPACITY	42 gal.

DECK WIDTH	30"
BATHING WELL	55" x 23-3/8"
PRODUCT WEIGHT	75 lbs. (34 kg)
WARRANTY	Limited Lifetime

TECHNICAL INFORMATION

Note: these dimensions are nominal and subject to change without notice; all line drawings depict the left-hand drain version of the product.



ITEM NO. 3492121 / MODEL NO. LOW-3364-00

MANSFIELD[®]



PRO-FIT[®] STEEL

60" x 30" x 14-1/4", Porcelain Enameled Steel, Bathtub, Right-Hand

FEATURES

- 40 Degree reclined lumbar backrest for bather's comfort
- High-gloss, durable porcelain finish is non-porous, easy to clean and won't fade, stain or crack
- Full slip-resistant surface
- Full length leveling pad provides support and easier installation, no mortar required
- Integrated tiling flange and apron for watertight installation
- Rectangular model with right-hand end drain
- 1-year limited warranty
- Installation: Alcove
- Available in White



MODEL LOW-3364-00

Bath



BATH

COMPONENTS

MODEL #	DESCRIPTION	CODES/STANDARDS
LOW-3364-00	60" x 30" x 14-1/4" Rectangular Enameled Steel Bathtub. Drain not included.	All bathtub products comply with ASME A112.19.1/CSA B45.2 for Enameled Steel Plumbing Fixtures (US and Canada)



ITEM NO. 3492121 / MODEL NO. LOW-3364-00

MANSFIELD®**PRO-FIT® STEEL**

60" x 30" x 14-1/4", Porcelain Enameled Steel, Bathtub, Right-Hand

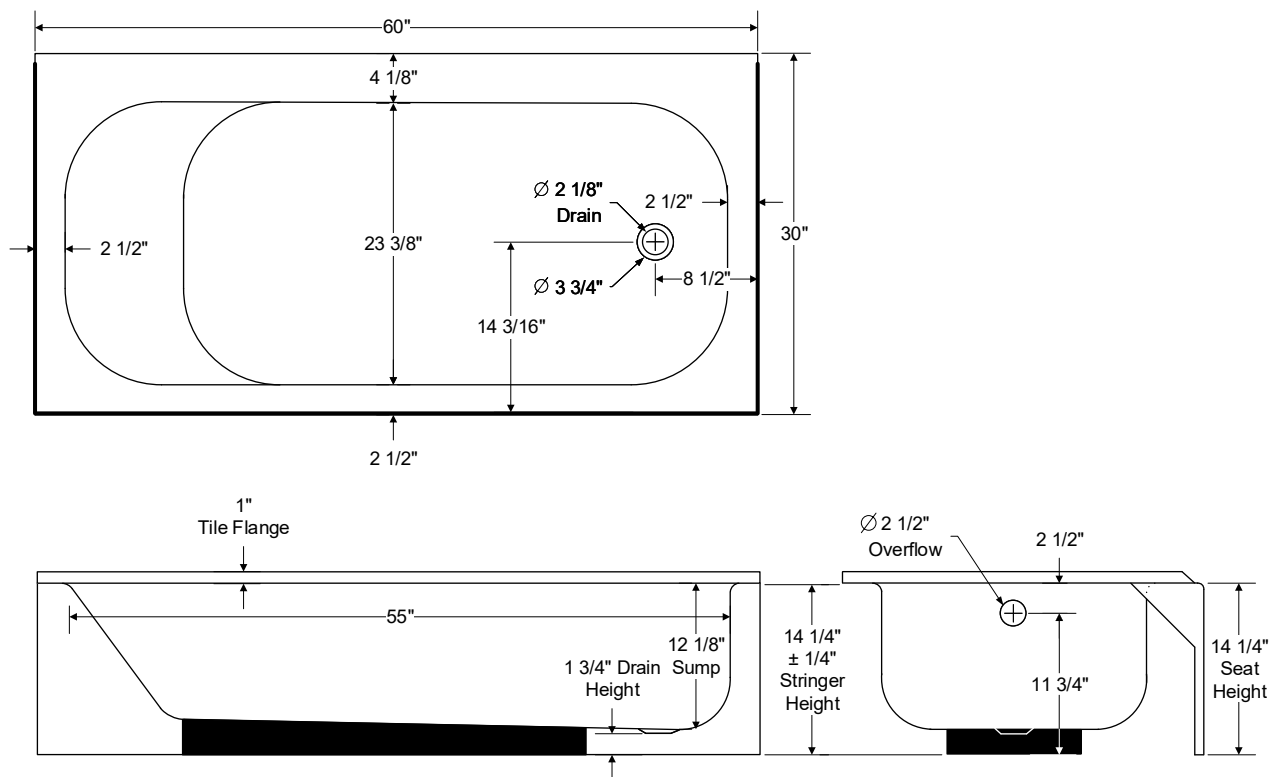
SPECIFICATIONS

MATERIAL	Porcelain Enamel
DRAIN LOCATION	Right
WATER CAPACITY	40 gal.

DECK WIDTH	30"
BATHING WELL	55" x 23-3/8"
PRODUCT WEIGHT	64 lbs. (29 kg)
WARRANTY	1-Year

TECHNICAL INFORMATION

Note: these dimensions are nominal and subject to change without notice;
all line drawings depict the left-hand drain version of the product.



ITEM NO. 3492122 / MODEL NO. LOW-3365-00

PRO-FIT® STEEL**MANSFIELD®**

60" x 30" x 14-1/4", Porcelain Enameled Steel, Bathtub, Left-Hand

FEATURES

- 40 Degree reclined lumbar backrest for bather's comfort
- High-gloss, durable porcelain finish is non-porous, easy to clean and won't fade, stain or crack
- Full slip-resistant surface
- Full length leveling pad provides support and easier installation, no mortar required
- Integrated tiling flange and apron for watertight installation
- Rectangular model with left-hand end drain
- 1-year limited warranty
- Installation: Alcove
- Available in White

**MODEL LOW-3365-00**

Bath



BATH

COMPONENTS

MODEL #	DESCRIPTION	CODES/STANDARDS
LOW-3365-00	60" x 30" x 14-1/4" Rectangular Enameled Steel Bathtub. Drain not included.	All bathtub products comply with ASME A112.19.1/CSA B45.2 for Enameled Steel Plumbing Fixtures (US and Canada)



ITEM NO. 3492122 / MODEL NO. LOW-3365-00

MANSFIELD®



PRO-FIT® STEEL

60" x 30" x 14-1/4", Porcelain Enameled Steel, Bathtub, Left-Hand

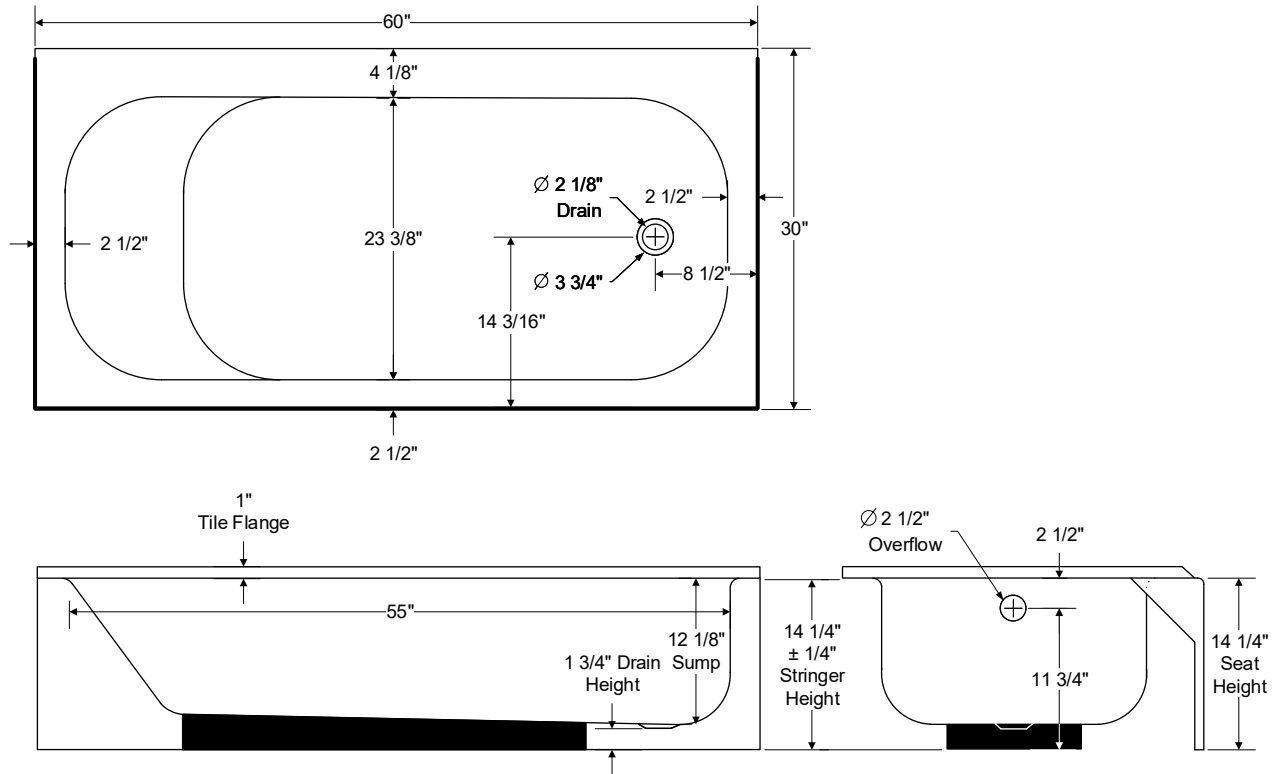
SPECIFICATIONS

MATERIAL	Porcelain Enamel
DRAIN LOCATION	Left
WATER CAPACITY	40 gal.

DECK WIDTH	30"
BATHING WELL	55" x 23-3/8"
PRODUCT WEIGHT	64 lbs. (29 kg)
WARRANTY	1-Year

TECHNICAL INFORMATION

Note: these dimensions are nominal and subject to change without notice.



Available at

ITEM NO. 3492123 / MODEL NO. LOW-3341-00

PRO-FIT® STEEL XD

MANSFIELD®



60" x 30" x 16-5/8", Porcelain Enameled Steel, Bathtub, Left-Hand

FEATURES

- Generous bathing well is 2-in deeper than standard bathtub
- High-gloss, durable porcelain finish is non-porous, easy to clean and won't fade, stain or crack
- Full slip-resistant surface
- Full length leveling pad provides support and easier installation, no mortar required
- Integrated tiling flange and apron for watertight installation
- Rectangular model with left-hand end drain
- 2-year limited warranty
- Installation: Alcove
- Available in White



MODEL LOW-3341-00

Bath



BATH

COMPONENTS

MODEL #	DESCRIPTION	CODES/STANDARDS
LOW-3341-00	60" x 30" x 16-5/8" Rectangular Enameled Steel Bathtub. Drain not included.	All bathtub products comply with ASME A112.19.1/CSA B45.2 for Enameled Steel Plumbing Fixtures (US and Canada)



ITEM NO. 3492123 / MODEL NO. LOW-3341-00

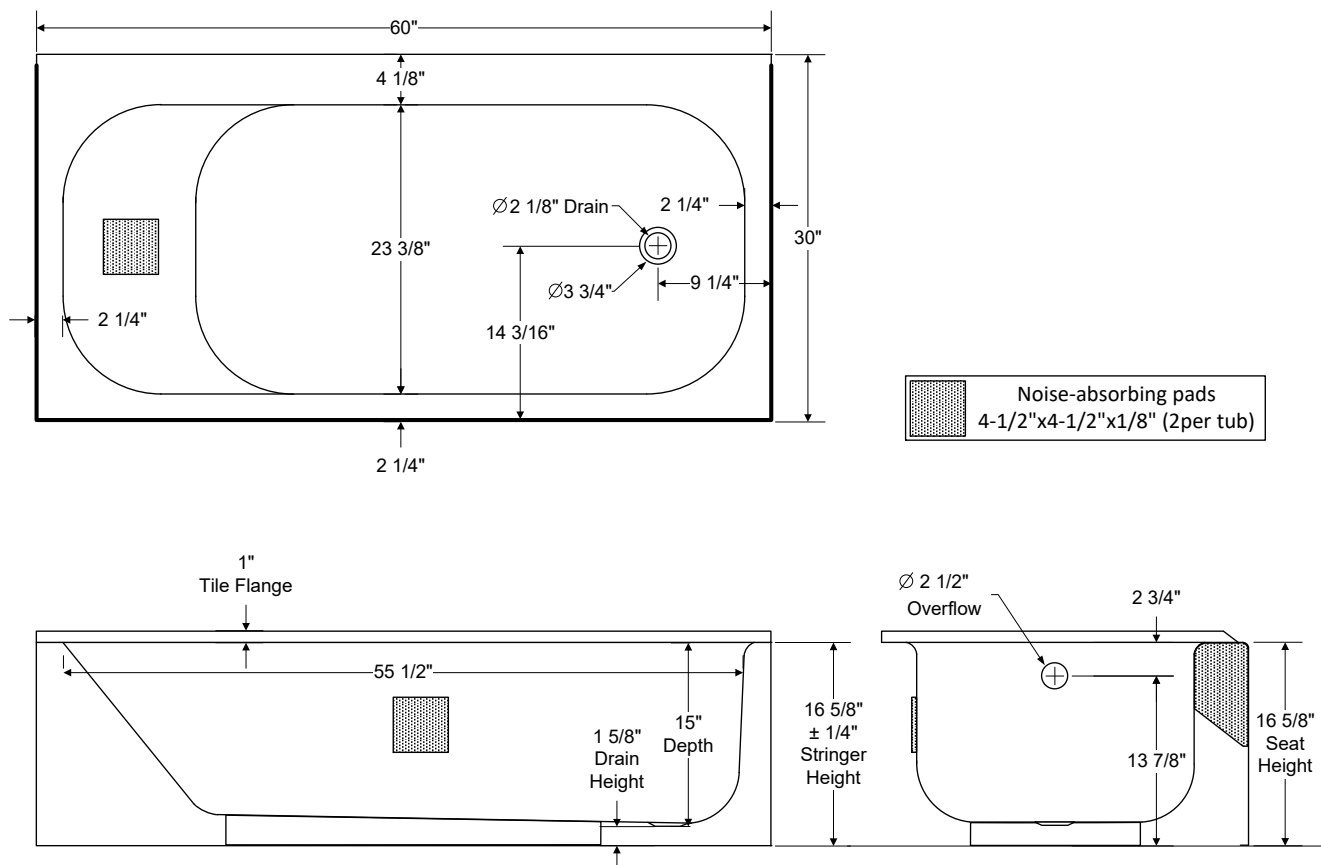
PRO-FIT® STEEL XD**MANSFIELD®**

60" x 30" x 16-5/8", Porcelain Enameled Steel, Bathtub, Left-Hand

SPECIFICATIONS

MATERIAL	Porcelain Enamel
DRAIN LOCATION	Left
WATER CAPACITY	45.6 gal.

DECK WIDTH	30"
BATHING WELL	55-1/2" x 23-3/8"
PRODUCT WEIGHT	75 lbs. (34 kg)
WARRANTY	2-Year

TECHNICAL INFORMATION**Note:** these dimensions are nominal and subject to change without notice.

Available at

ITEM NO. 3492124 / MODEL NO. LOW-3340-00

PRO-FIT® STEEL XD

MANSFIELD®



60" x 30" x 16-5/8", Porcelain Enameled Steel, Bathtub, Right-Hand

FEATURES

- Generous bathing well is 2-in deeper than standard bathtub
- High-gloss, durable porcelain finish is non-porous, easy to clean and won't fade, stain or crack
- Full slip-resistant surface
- Full length leveling pad provides support and easier installation, no mortar required
- Integrated tiling flange and apron for watertight installation
- Rectangular model with right-hand end drain
- 2-year limited warranty
- Installation: Alcove
- Available in White



MODEL LOW-3340-00

Bath



BATH

COMPONENTS

MODEL #	DESCRIPTION	CODES/STANDARDS
LOW-3340-00	60" x 30" x 16-5/8" Rectangular Enameled Steel Bathtub. Drain not included.	All bathtub products comply with ASME A112.19.1/CSA B45.2 for Enameled Steel Plumbing Fixtures (US and Canada)



ITEM NO. 3492124 / MODEL NO. LOW-3340-00

MANSFIELD®



PRO-FIT® STEEL XD

60" x 30" x 16-5/8", Porcelain Enameled Steel, Bathtub, Right-Hand

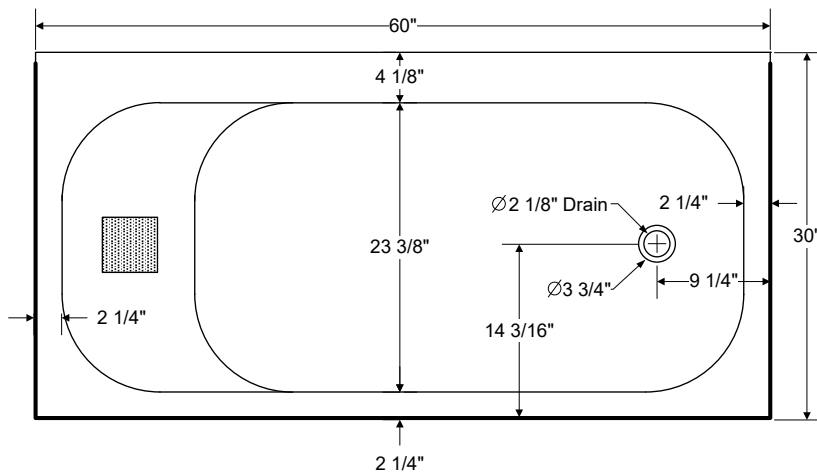
SPECIFICATIONS

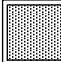
MATERIAL	Porcelain Enamel
DRAIN LOCATION	Right
WATER CAPACITY	45.6 gal.

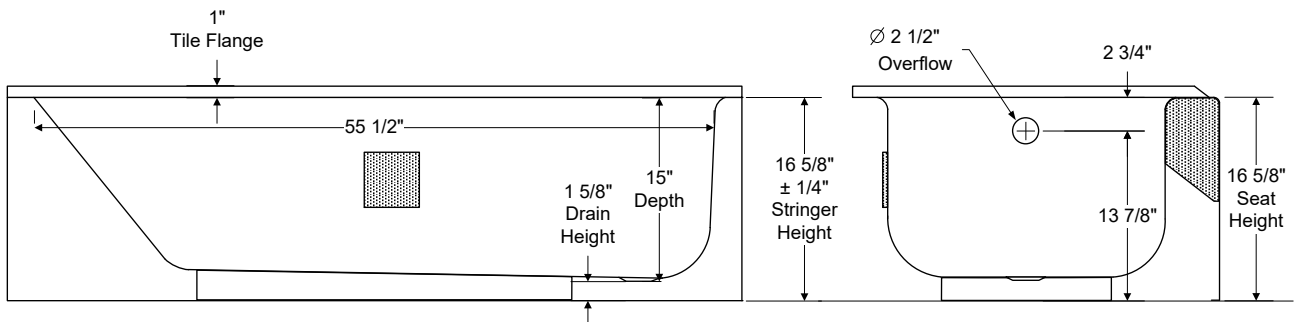
DECK WIDTH	30"
BATHING WELL	55-1/2" x 23-3/8"
PRODUCT WEIGHT	75 lbs. (34 kg)
WARRANTY	2-Year

TECHNICAL INFORMATION

Note: these dimensions are nominal and subject to change without notice; all line drawings depict the left-hand drain version of the product.



 Noise-absorbing pads
4-1/2"x4-1/2"x1/8" (2per tub)



Available at

ITEM NO. 3492125 / MODEL NO. LOW-1900-00CH

PRO-FIT® BASE 4834

MANSFIELD®



48" x 34" x 3", Porcelain Enameled Steel, Shower Base, Center Drain

FEATURES

- High-gloss, durable porcelain finish is non-porous, easy to clean and won't fade, stain or crack
- Full slip-resistant surface
- Full length leveling pad provides support and easier installation, no mortar required
- Integrated tiling flange for watertight installation
- Square model with center drain
- Limited lifetime warranty
- Available in White



MODEL LOW-1900-00	
Shower Base	

COMPONENTS

MODEL #	DESCRIPTION	CODES/STANDARDS
LOW-1900-00CH	48" x 34" x 3" Square Enameled Steel Shower Base with chrome drain included.	Complies with ASME A112.19.1/CSA B45.2 for Enameled Steel Plumbing Fixtures (US and Canada)



ITEM NO. 3492125 / MODEL NO. LOW-1900-00CH

MANSFIELD®



PRO-FIT® BASE 4834

48" x 34" x 3", Porcelain Enameled Steel, Shower Base, Center Drain

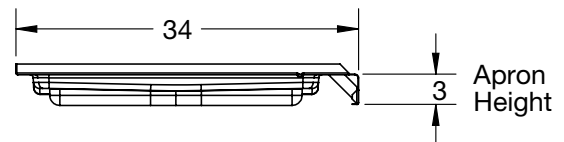
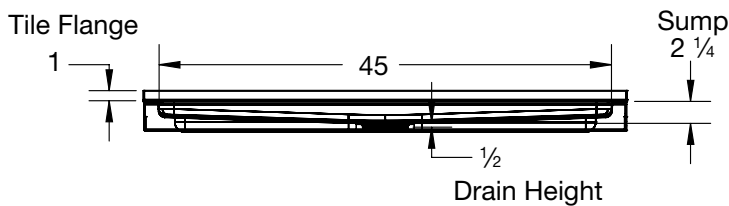
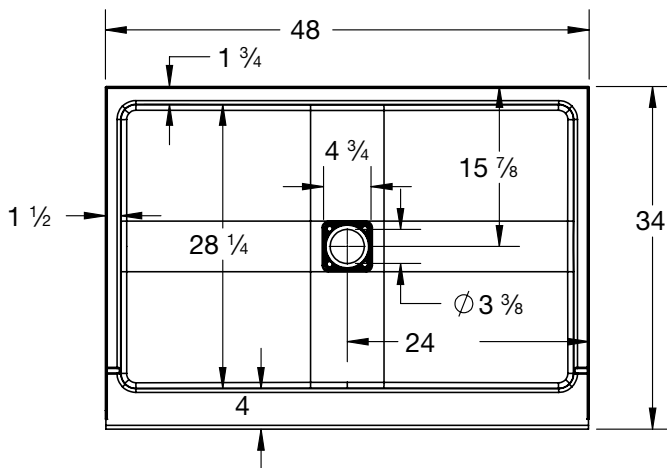
SPECIFICATIONS

MATERIAL	Porcelain Enamel
DRAIN LOCATION	Center
DRAIN KIT INCLUDED	Yes

THRESHOLD HEIGHT	3'
SHAPE	Square
PRODUCT WEIGHT	40 lbs. (18 kg)
WARRANTY	Limited Lifetime

TECHNICAL INFORMATION

Note: these dimensions are nominal and subject to change without notice.



ITEM NO. 3492162 / MODEL NO. 807137-000-129-000

FULTON™ WALL PANEL

MANSFIELD®



60-1/2" x 31-3/4" x 59", High-Impact Polystyrene, Shower Wall Panel

FEATURES

- 5-Piece wall set has 59-inch high walls that can be installed in a bathtub application
- Quick and easy direct-to-wall installation
- Bright, glossy polystyrene is easy to clean
- Wall set includes 6 shelves for storage
- Can be cut to size to accommodate any shower space that fits a length of 59-in to 61-in and a width of 31-in to 32-in
- Glue-up walls are ideal for remodeling projects
- Limited 1-year warranty
- Available in White



MODEL 807137-000-129-000	
Shower Wall Panel	

COMPONENTS

MODEL #	DESCRIPTION	CODES/STANDARDS
807137-000-129-000	60' x 31-3/4' x 59' 5-Panel Glue-Up Shower Wall	



ITEM NO. 3492162 / MODEL NO. 807137-000-129-000

MANSFIELD[®]

FULTON™ WALL PANEL

60-1/2" x 31-3/4" x 59", High-Impact Polystyrene, Shower Wall Panel

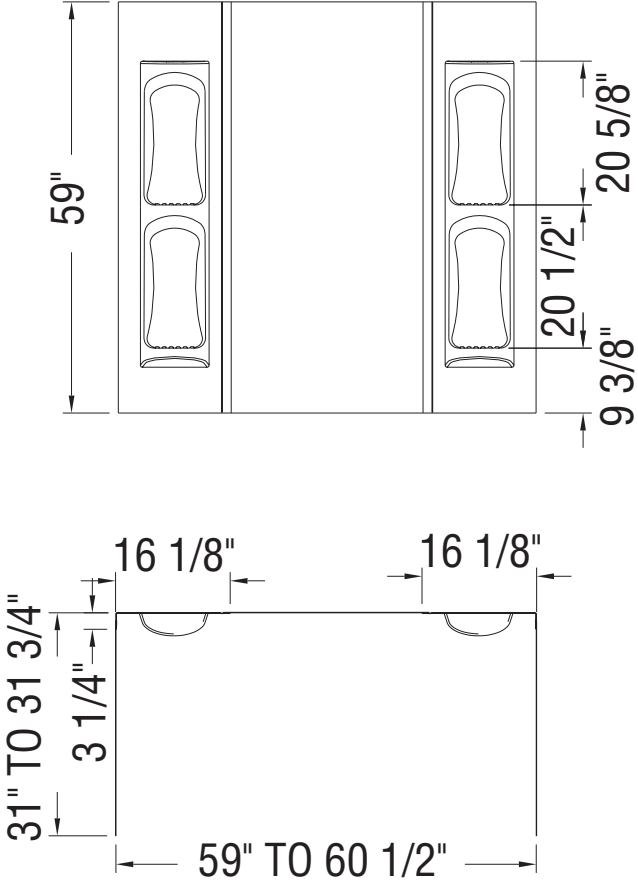
SPECIFICATIONS

MATERIAL	High-Impact Polystyrene
INSTALLATION TYPE	Glue to wall
CONFIGURATION	Alcove

SHELF INCLUDED	Yes
NUMBER OF PANELS	5
PRODUCT WEIGHT	20 lbs. (9 kg)
WARRANTY	Limited 1-Year

TECHNICAL INFORMATION

Note: these dimensions are nominal and subject to change without notice.



ITEM NO. 3492163 / MODEL NO. 807138-000-129-000

RICHLAND™ WALL PANEL

MANSFIELD®



60-1/2" x 31-3/4" x 59", High-Impact Polystyrene, Shower Wall Panel

FEATURES

- 5-Piece wall set has 59-inch high walls that can be installed in a bathtub application
- Quick and easy direct-to-wall installation
- Bright, glossy polystyrene is easy to clean
- Wall set includes 4 shelves for storage
- Can be cut to size to accommodate any shower space that fits a length of 48-in to 61-in and a width of 30-in to 32-in
- Glue-up walls are ideal for remodeling projects
- Limited 1-year warranty
- Available in White



MODEL 807138-000-129-000

Shower Wall Panel

COMPONENTS

MODEL #	DESCRIPTION	CODES/STANDARDS
807138-000-129-000	60' x 31-3/4' x 59' 5-Panel Glue-Up Shower Wall	

ITEM NO. 3492163 / MODEL NO. 807138-000-129-000

RICHLAND™ WALL PANEL

MANSFIELD®



60-1/2" x 31-3/4" x 59", High-Impact Polystyrene, Shower Wall Panel

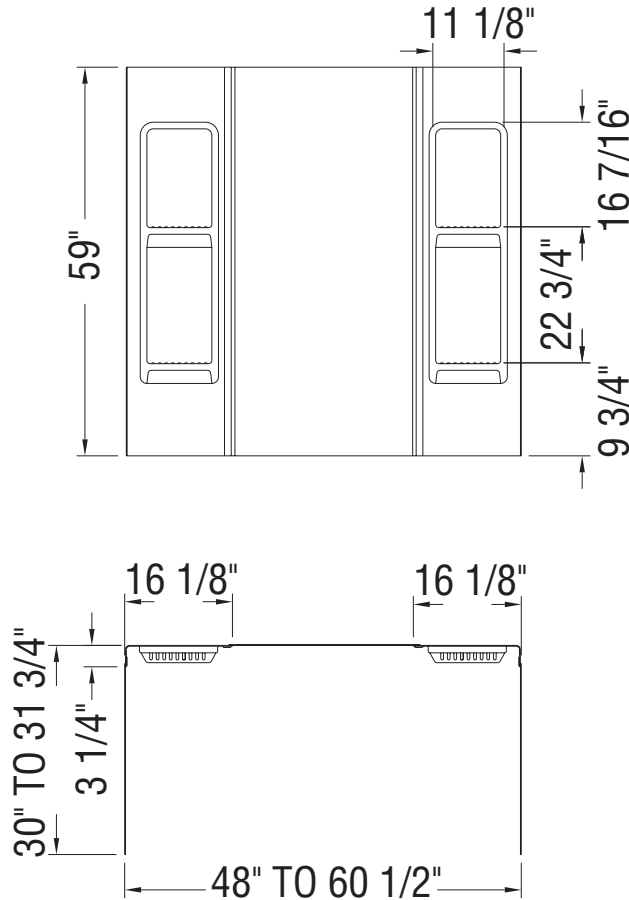
SPECIFICATIONS

MATERIAL	High-Impact Polystyrene
INSTALLATION TYPE	Glue to wall
CONFIGURATION	Alcove

SHELF INCLUDED	Yes
NUMBER OF PANELS	5
PRODUCT WEIGHT	20 lbs. (9 kg)
WARRANTY	Limited 1-Year

TECHNICAL INFORMATION

Note: these dimensions are nominal and subject to change without notice.



ITEM NO. 3492164 / MODEL NO. 807139-000-129-000

CALLAHAN™ WALL PANEL

MANSFIELD®



61" x 33-1/2" x 80", High-Impact Polystyrene, Shower Wall Panel

FEATURES

- 5-Piece wall set has 80-inch high walls that can be installed in a shower or bathtub application
- Quick and easy direct-to-wall installation
- Bright, glossy polystyrene is easy to clean
- Wall set includes 2 towel bars and 6 shelves for storage
- Can be cut to size to accommodate any shower space that fits a length of 48-in to 61-in and a width of 30-in to 34-in
- Glue-up walls are ideal for remodeling projects
- Limited 1-year warranty
- Available in White



MODEL 807139-000-129-000	
Shower Wall Panel	

COMPONENTS

MODEL #	DESCRIPTION	CODES/STANDARDS
807139-000-129-000	61" x 33-1/2" x 80" 5-Panel Glue-Up Shower Wall	

ITEM NO. 3492164 / MODEL NO. 807139-000-129-000

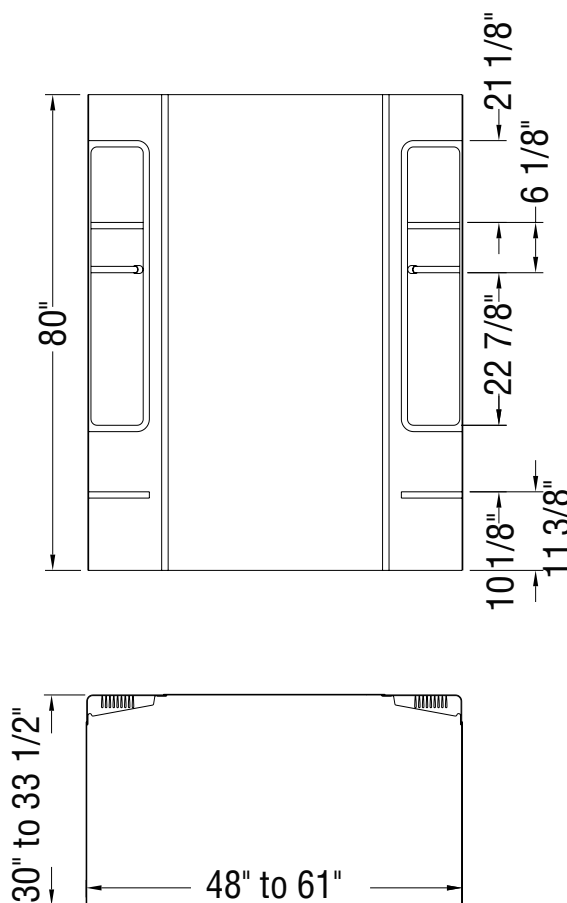
CALLAHAN™ WALL PANEL**MANSFIELD®**

61" x 33-1/2" x 80", High-Impact Polystyrene, Shower Wall Panel

SPECIFICATIONS

MATERIAL	High-Impact Polystyrene
INSTALLATION TYPE	Glue to wall
CONFIGURATION	Alcove

SHELF INCLUDED	Yes
NUMBER OF PANELS	5
PRODUCT WEIGHT	32 lbs. (14 kg)
WARRANTY	Limited 1-Year

TECHNICAL INFORMATION**Note:** these dimensions are nominal and subject to change without notice.

ITEM NO. 3492167 / MODEL NO. 800024-996-084-000

WARREN™ SHOWER KIT

MANSFIELD®



38" x 38" x 76-1/2", Polystyrene, Shower Kit, Center Drain

FEATURES

- Shower kit includes walls, base and door
- Neo-angle base
- 3-Piece wall featuring 3 shelves and 1 acrylic towel bar
- Clear glass with Center Silk pattern
- Pivot door with left- or right-opening
- 12" Drain center
- Limited 1-year warranty
- Available in White with Chrome Finish



MODEL 800024-996-084-000	
Shower Kit	

COMPONENTS

MODEL #	DESCRIPTION	CODES/STANDARDS
800024-996-084-000	38" x 38" x 76-1/2" Neo-Angle 3-Piece Shower Kit with chrome drain included.	



ITEM NO. 3492167 / MODEL NO. 800024-996-084-000

WARREN™ SHOWER KIT

MANSFIELD®



38" x 38" x 76-1/2", Polystyrene, Shower Kit, Center Drain

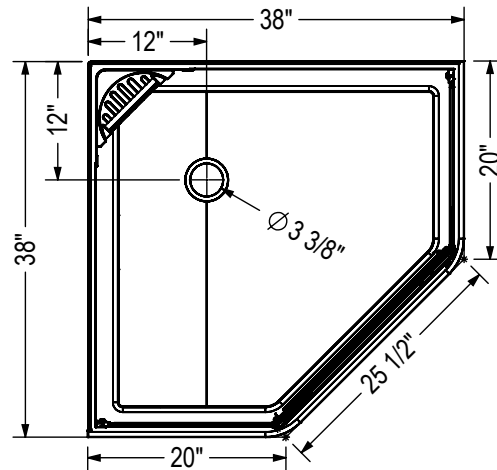
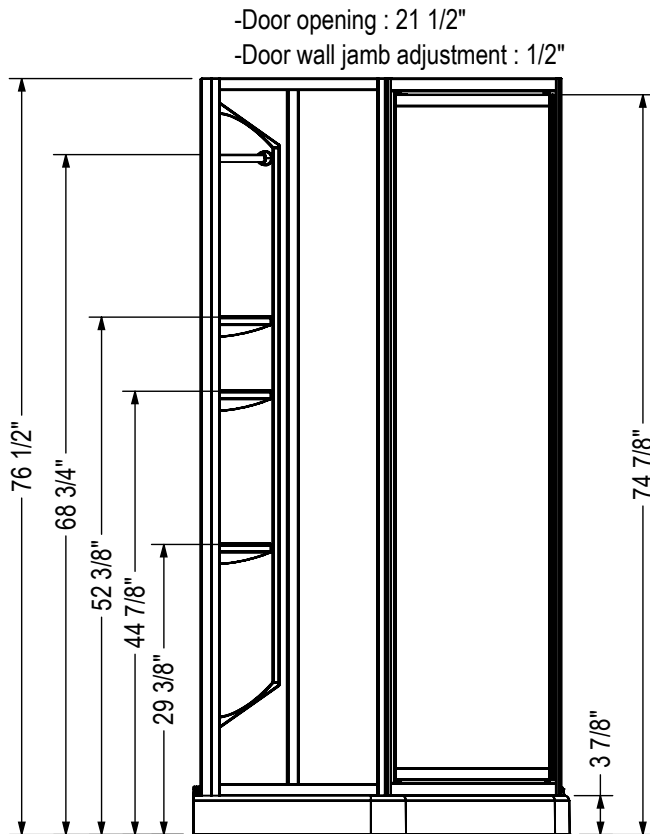
SPECIFICATIONS

MATERIAL	Polystyrene
DRAIN LOCATION	Center
DRAIN KIT INCLUDED	Yes

THRESHOLD HEIGHT	3-7/8"
SHAPE	Neo-Angle
PRODUCT WEIGHT	98 lbs. (44 kg)
WARRANTY	Limited 1-Year

TECHNICAL INFORMATION

Note: these dimensions are nominal and subject to change without notice.



Available at

ITEM NO. 3492168 / MODEL NO. 800025-900-084-000

MONROE™ SHOWER KIT

MANSFIELD®



34" x 34" x 76", Polystyrene, Shower Kit, Center Drain

FEATURES

- Shower kit includes walls, base and door
- Round base
- Low 3" threshold allowing an easy and safe access
- Smooth and silent roller system
- Tempered glass
- Sliding door with left- or right-opening
- Limited 3-year warranty
- Available in White with Chrome finish



MODEL 800025-900-084-000

Shower Kit

COMPONENTS

MODEL #	DESCRIPTION	CODES/STANDARDS
800025-900-084-000	34" x 34" x 76" Round 3-Piece Shower Kit with chrome drain included.	



ITEM NO. 3492168 / MODEL NO. 800025-900-084-000

MONROE™ SHOWER KIT

MANSFIELD®



34" x 34" x 76", Polystyrene, Shower Kit, Center Drain

SPECIFICATIONS

MATERIAL	Polystyrene
DRAIN LOCATION	Center
DRAIN KIT INCLUDED	Yes

THRESHOLD HEIGHT	3"
SHAPE	Round
PRODUCT WEIGHT	115 lbs. (52 kg)
WARRANTY	Limited 3-Year

TECHNICAL INFORMATION

Note: these dimensions are nominal and subject to change without notice.

